

RECHARGEABLE POOL VACUUM
USER MANUAL
ASPIRATEUR RECHARGEABLE SANS FIL
MANUEL D'UTILISATION
LIMPIAFONDOS INALÁMBRICO RECARGABLE
MANUAL DE USUARIO
HERLAADBARE BODEMZUIGER
HANDLEIDING
PULITORE A BATTERIE RICARICABILI
MANUALE D'USO
WIEDERAUFLADBARER POOLSAUGER
BEDIENUNGSANLEITUNG



EV40

Table Of Contents

SAFETY WARNINGS & INSTRUCTIONS	P.7
GETTING STARTED	P.10
Charging The Battery	P.10
Set-Up Before Use	P.11
Telescopic pole (not provided) assembly	P.11
Specific telescopic pole (not provided) assembly	P.12
Filter Bag Assembly	P.12
Brush assembly	P.13
Pool Preparation	P.14
OPERATION	P.14
Vacuuming the Sunken Compartment of an Automatic Slatted Cover	P.15
EMPTYING THE FILTER BAG	P.16
MAINTENANCE & STORAGE	P.16
Pole connector replacement	P.17
BATTERY DISPOSAL	P.17
How to remove the battery pack	P.18
TROUBLESHOOTING	P.19

Remark: Product/parts photos/drawings in this manual are for demonstration only.
Product/parts in photos/drawings may vary with the model purchased.

Accessories / parts shown in this manual & parts diagram are not necessarily included with every model.

Table des matières

AVERTISSEMENTS DE SÉCURITÉ ET INSTRUCTIONS	P.20
DÉBUT DES OPÉRATIONS	P.23
Chargement de la batterie	P.23
Réglage avant l'utilisation	P.24
Ensemble manche télescopique(non fourni)	P.24
Ensemble manche télescopique spécifique (non fourni)	P.25
Ensemble sacs filtre	P.25
Ensemble brosse	P.26
Préparation de la piscine	P.27
FONCTIONNEMENT	P.27
Passer l'aspirateur dans le compartiment submergé de votre couverture à lattes automatique	P.28
VIDER LE SAC DE FILTRATION	P.29
MAINTENANCE ET STOCKAGE	P.29
Remplacement de la manche du connecteur	P.30
ÉLIMINATION DES BATTERIES	P.31
Comment retirer le bloc de batteries	P.31
REPÉRAGE DE PANNES	P.33

Remarque: Les photos / dessins de produits / pièces de ce manuel sont uniquement à titre de démonstration. Le produit / les pièces dans les photos / dessins peuvent varier en fonction du modèle acheté.

Tous les accessoires / pièces illustrés dans ce manuel et le diagramme des pièces sont pas inclus avec chaque modèle

Índice de contenidos

AVISOS E INSTRUCCIONES DE SEGURIDAD	P.34
PRIMEROS PASOS	P.37
Cargando la batería	P.37
Configuración antes de uso	P.39
Montaje del pértiga telescópico (no suministrado)	P.39
Montaje del pértiga telescópica específico (no suministrado)	P.39
Montaje del bolsas de filtro	P.39
Montaje del cepillo	P.40
Preparación de la piscine	P.41
FUNCIONAMIENTO	P.41
Aspire el compartimento sumergido de su cubierta de listones automática	P.42
VACIADO DEL FILTRO	P.43
MANTENIMIENTO Y ALMACENAMIENTO	P.43
Sustitución del conector de pértiga	P.44
ELIMINACIÓN DE LA BATERÍA	P.45
Cómo retirar el paquete de baterías	P.45
RESOLUCIÓN DE PROBLEMAS	P.47

Observación: Las fotografías/ilustraciones del producto o de sus piezas que aparecen en este manual solo se incluyen a modo de muestra. El producto o las piezas que aparecen en las fotografías/ilustraciones pueden variar respecto al modelo adquirido.

Todos los accesorios / piezas en este manual y el diagrama de las partes no están incluidos con todos los modelos.

Inhoudsopgave

VEILIGHEIDSWAARSCHUWINGEN & INSTRUCTIES	P.48
VAN START GAAN	P.51
Batterij opladen	P.51
Instellen voor gebruik	P.53
Montage van telescopische paal (niet meegeleverd)	P.53
Montage van specifiek telescopische paal (niet meegeleverd)	P.53
Montage van filterzak	P.53
Montage van borstel	P.54
Vorbereiding Zwembad	P.55
GEBRUIK	P.55
Zuigen van het dieperliggende compartiment van een Automatische Lamellenafdekkingen	P.56
FILTERZAK LEGEN	P.57
ONDERHOUD & OPSLAG	P.57
Vervanging van de koppelstuk van de paal	P.58
VERWIJDERING VAN DE BATTERIJ	P.59
Hoe de batterij verwijderen	P.59
PROBLEMEN OPLOSSEN	P.61

Opmerking: Foto's/tekeningen van (onderdelen van) het product in deze handleiding dienen alleen ter illustratie. Foto's/tekeningen van (onderdelen van) het product kunnen verschillen van het model dat u hebt aangeschaft.

De in deze handleiding getoonde accessoires/onderdelen en het onderdelen overzicht worden niet noodzakelijkerwijs bij elk model meegeleverd.

Indice

AVVERTENZE DI SICUREZZA & ISTRUZIONI	P.62
PER INIZIARE	P.65
Caricare la batteria	P.65
Montaggio prima dell'uso	P.66
Assemblaggio palo telescopico (non fornita)	P.66
Assemblaggio palo telescopico specific (non fornita)	P.67
Assemblaggio sacchetto filtro	P.67
Assemblaggio spazzole	P.68
Preparazione della piscine	P.69
FUNZIONAMENTO	P.69
Aspirazione dello scomparto incassato di una copertura a doghe automatica	P.70
SVUOTARE IL FILTRO	P.71
MANUTENZIONE & STOCCAGGIO	P.71
Sostituzione del connettore palo	P.72
SMALTIMENTO DELLA BATTERIA	P.73
Come rimuovere il pack batteria	P.74
RISOLUZIONE DEI PROBLEMI	P.75

Precisazione: I prodotti/foto dei pezzi/bozzetti nel presente manuale sono solo a scopo dimostrativo. I prodotti/pezzi nelle foto/bozzetti possono variare rispetto al modello acquistato.

Gli accessori / parti indicate in questo manuale e lo esploso ricambi non sono necessariamente incluse in ciascun modello.

Inhaltsverzeichnis

SICHERHEITSHINWEISE UND ANWEISUNGEN	S.76
FERTIG MACHEN	S.79
Die Batterie aufladen	S.79
Vor Gebrauch einrichten	S.81
Montage des Teleskopstange (nicht mitgeliefert)	S.81
Montage des Soezifische Teleskopstange (nicht mitgeliefert)	S.81
Montage des Filtertasche	S.81
Montage des Bürste	S.82
Poolvorbereitung	S.83
BETRIEB	S.83
Absaugen des versenkten Fachs einer automatischen Lamellenabdeckung	S.84
LEEREN DER FILTERTASCHE	S.85
WARTUNG & LAGERUNG	S.85
Austausch des Stangenverbinders	S.86
BATTERIE ENTSORGUNG	S.87
So entfernen Sie den Akku	S.88
FEHLERBEHEBUNG	S.89

Kommentare Produkte/Teile auf den Fotos/Zeichnungen in dieser Anleitung dienen nur zur Veranschaulichung. Produkte/Teile auf den Fotos/Zeichnungen können beim gekauften Artikel variieren.

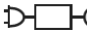
Das in dieser Anleitung gezeigte Zubehör/Teile , und Teileübersicht sind nicht unbedingt bei jedem Modell enthalten.

SAFETY WARNINGS & INSTRUCTIONS

Information contained in this Instruction Manual will help you operate the item safely, protect yourself and others from hazards, and prevent damage to the device and other property.

SAVE THESE INSTRUCTIONS

WARNING!

- This is not a TOY. Children should be kept out of reach from this pool vacuum and its accessories.
- Never allow children to operate this product.
- This appliance is not intended for use by persons with reduced physical, sensory, mental capabilities, or a lack of experience and knowledge, unless they are given supervision or instructions concerning the safe use of the appliance and understand the hazards involved by a person responsible for their safety.
- Children must not play with this product.
- Cleaning and user maintenance must not be carried out by children.
- Make sure the pool vacuum is fully immersed in water before initiating operation. The minimum water level required to operate the pool vacuum must cover the entire pool vacuum. Operating the pool vacuum when it is not immersed in the water correctly could damage the unit and void the warranty as a result.
- Maximum operating depth in water is 3 meters (9.8 ft.).
- Operating water temperature: 5°C (41°F) –35°C (95°F).
-  Detachable supply unit (external adaptor).
- The pool vacuum is only to be recharged with external adaptor and charging cable delivered with this product.
- For the purposes of recharging the battery, only use the detachable supply unit (external adaptor model number: DSS12D-0841000-B / DSS12D-0841000-C / DSS12D-0841000-D/ LX084100U) that provided with this pool vacuum to charge the battery.
- Connect the external adaptor to a power source through a residential current device (RCD) / a ground fault circuit interrupter (GFCI). If in doubt, consult a qualified professional electrician.
- Do not use this pool vacuum if any damage is detected.
- Replace damaged parts with ones that are certified by the distributor or manufacturer.
- Turn off the power, disconnect the external adaptor from the power source, and unplug the external adaptor from the charging cable before detaching the pool vacuum from the charging cable.
- Disconnect the pool vacuum from the supply mains and make sure the pool vacuum is powered OFF prior to servicing it such as cleaning the filter bag.
- Do not attempt to replace the installed rechargeable Li-ion battery pack.
- DO NOT handle the pool vacuum, external adaptor and charging cable

- while it is charging with wet limbs and without shoes.
- You should not operate this pool vacuum when people/pets are present in the water.
 - DO NOT use this pool vacuum without an intact filter bag in place, otherwise your warranty will be voided as a result.
 - Suction entrapment hazard: This pool vacuum generates suction. Do not allow hair, body, and any loose parts of your clothing to make contact with the suction point of the pool vacuum during its operation.
 - Never insert body parts, clothing, and other objects into the openings and moving parts of the pool vacuum.
 - DO NOT use this pool vacuum to pick up any toxic substance, flammable, and combustible liquids (i.e.gasoline) in the presence of explosive or flammable fumes.
 - Under no circumstances should you attempt to disassemble the pool vacuum and replace the impeller, motor, and battery by yourself.
 - Never insert fingers and any object to touch the impeller.
 - The built-in battery must be removed by a skilled technician before it is scrapped.
 - This pool vacuum contains a battery that are only to be removed by skilled persons.
 - The pool vacuum must be disconnected from the supply mains as the battery is removed.
 - For details regarding battery recycling/disposal, refer to the section "BATTERY DISPOSAL" in this manual and contact your local authorities for more information.
 - The battery must be disposed safely in accordance with local ordinances or regulations.
-
- External adaptor and charging cable:
 - Never use the external adaptor and charging cable for anything other than charging the battery of the pool vacuum that is supplied in the same pack.
 - The external adaptor and charging cable should not be used outdoors, nor should it be exposed to rain, humidity, any liquid or heat.
 - The transformer (or external adaptor) is to be located outside zone 1.
 - Keep the external adaptor and charging cable out of reach of children.
 - Never use the external adaptor and charging cable if any damage is detected.
 - DO NOT handle the external adaptor and charging cable with wet hands.
 - Keep the external adaptor disconnected from power when it is not in use.
 - Never attempt to open the external adaptor and charging cable.

- If the supply cord of the external adaptor is damaged, the external adaptor must be replaced by the manufacturer or its service agent to prevent hazards of any kind.
- Make sure the pool vacuum and the charging cable are completely dry before charging.

CAUTION!

- This pool vacuum is designed for underwater use only; it is not an all-purpose vacuum cleaner. DO NOT attempt to use it to clean anything other than your pool.
- Use only original accessories delivered with this product.
- DO NOT use this pool vacuum right after pool-shocking. It is recommended to first leave the pool circulating for at least 24-48 hours.
- If you are planning on using the pool vacuum in a saltwater pool, make sure all salt are dissolved before placing it in the water.
- DO NOT use this pool vacuum with another automatic cleaner/cleaner simultaneously in the pool.
- Avoid picking up hard, sharp objects with this product as they may damage the pool vacuum and filter.
- To avoid damaging the external adaptor and charging cable, do not attempt to carry the pool vacuum by the cable of external adaptor/charging cable or pull the cable in hopes of disconnecting the external adaptor from the power source.
- Charge the pool vacuum indoors in a clean, dry area with good ventilation and away from sunlight.
- DO NOT leave the pool vacuum charged for over 10 hours.
- If the pool vacuum will not be used for an extended period, detach it from the charging cable and use a damp cloth to clean and dry the pool vacuum and its accessories. Make sure to charge the pool vacuum to about 30% to 50% of the battery capacity before it is stored. Store in a well-ventilated area away from sunlight, heat, ignition sources, pool chemicals, and children. Recharge the pool vacuum every three months.
- All actions concerning the disassembly of the main unit (i.e. battery disposal) can only be carried by an authorized technician.

Above warnings and cautions are not intended to incorporate all possible instances for risks and / or severe injuries. Pool / spa owners should always exercise extra caution and common sense when utilizing the product.

GETTING STARTED

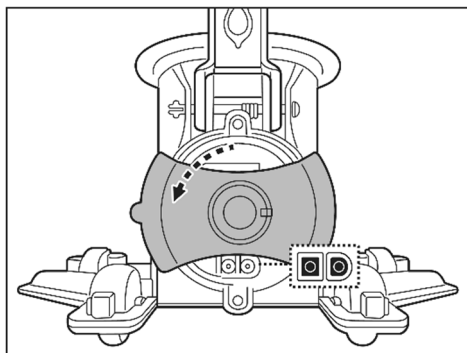
Charging The Battery

IMPORTANT NOTE: Fully charge the pool vacuum (about 6 hrs) before using it for the first time.

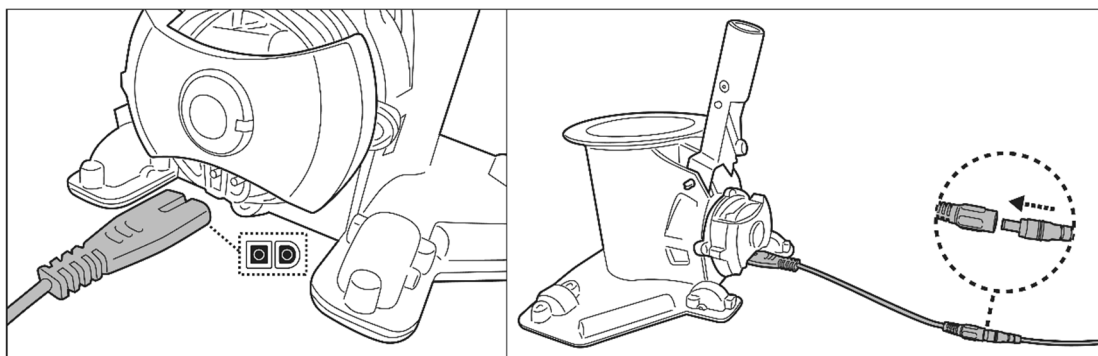
WARNING!

- KEEP YOUR FINGERS AWAY FROM THE OPENING TO AVOID BEING HIT BY THE IMPELLER WHEN IT'S ON.
- Use only the original external adaptor and charging cable provided.
- Make sure the pool vacuum and the charging port are clean and dry before set-up and charging. (TIPS: use a cotton bud to dry the charging port and charging pins)
- The charging pins are waterproof. However, remnants of water in the port and around the pins could result in natural occurrence of stains (a byproduct of chemical reaction between water and electric currents). Otherwise, the stains can be removed by light scrubbing with a cotton bud soaked with juice of lemon or vinegar.

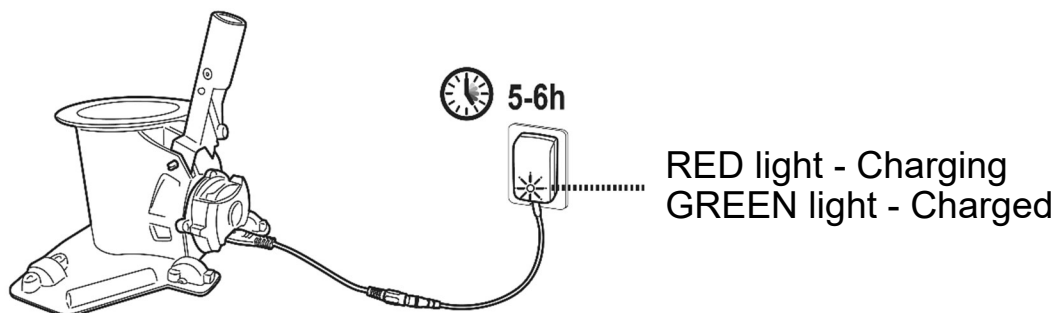
1. Place the unit on a flat surface. Set the pool vacuum to Power Off/Charging Mode by turning the switching knob anticlockwise until it clicks and completely exposes the charging port.



2. Align and attach the charging cable to the charging port. **WARNING!** Be sure not to invert the charging cable and ensure both the charging cable and charging port are clean and dry before charging them. TIPS: Use cotton bud to dry the charging port and pins. Connect the external adaptor's cable plug to the charging cable's port.



3. Connect the external adaptor to the power source. The indicator light on the external adaptor will turn red when the vacuum is charging and green when it is fully charged. Charge it for 5-6 hours for best performance.



- Immediately disconnect the external adaptor from the power source if you detect any of the following:
 - Offensive or unusual odor
 - Excessive heat
 - Deformation, cracks, leaks
 - Smoke
- 4. When charging is complete, disconnect the external adaptor from the power source and unplug the charging cable from the main unit. **WARNING!** Never leave the charging cable while the pool vacuum is in the water.

Normally the pool vacuum is designed to operate for up to 75 minutes on a full charge.
Note: Empty the filter bag regularly. Excessive debris increases the burden to the motor and may shorten the operating time.

NOTE: Rechargeable lithium-ion battery is classified as a consumable item. It has a limited life and will gradually lose its capacity to hold a charge. Therefore, the running time of the pool vacuum will gradually reduce after repeated charging and discharging throughout its product life.

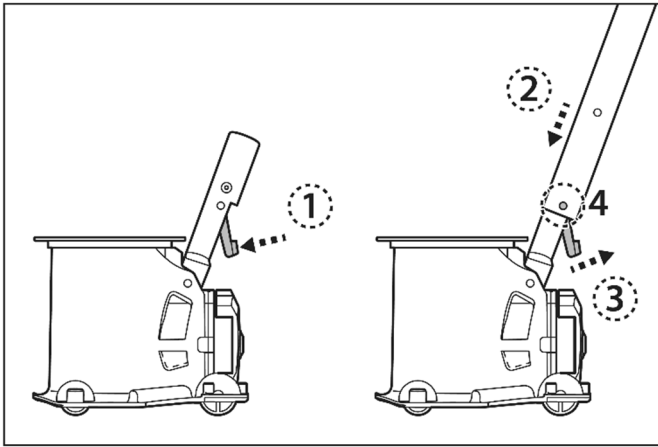
Once the lifespan of the battery reaches its end, refer to section “BATTERY DISPOSAL” for instructions regarding battery disposal.

NOTE: Let the pool vacuum rest for around 30 to 40 minutes before charging it again.

Set-Up Before Use

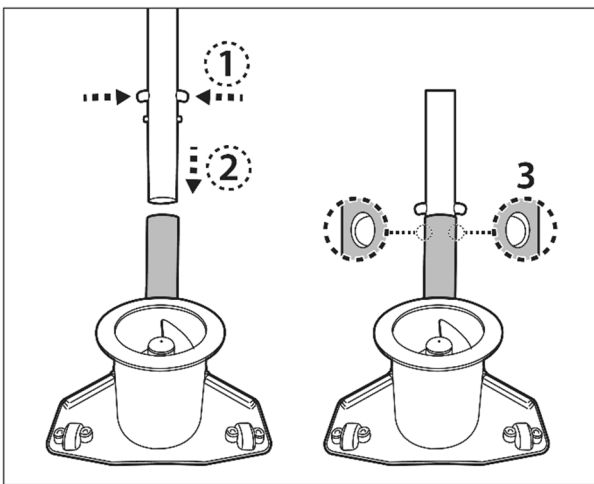
Telescopic pole (not provided) assembly (for EU & US only)

Press on the V-clip on the pole connector to retract its side pins. Slide the telescopic pole into the connector until it's locked in place by the side pins and holes and then release the V-clip.

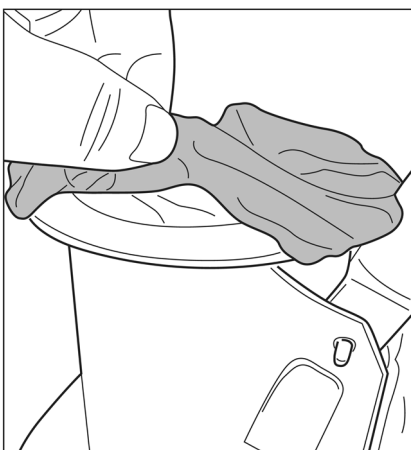


Specific telescopic pole (not provided) assembly (for Australia/New Zealand only)

Press on the internal wishbone clip (preinstalled inside the specific telescopic pole) to retract its side pins. Slide the specific telescopic pole into the specific pole connector until it's locked in place by the side pins and holes.



Filter Bag Assembly

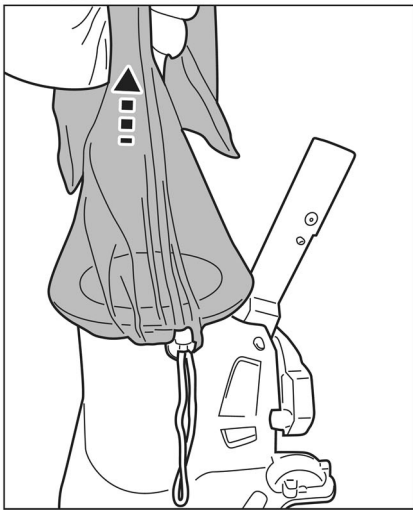


Spread the filter bag over the top opening of the main body of the pool vacuum. Make sure the cord of the bag is placed under the flange of the top opening.



While holding the cord, press on the cord fastener and push it under the flange.

TIPS: To secure the filter bag, when pushing the cord fastener under the flange, pull one cord instead of two cords as shown in diagram.

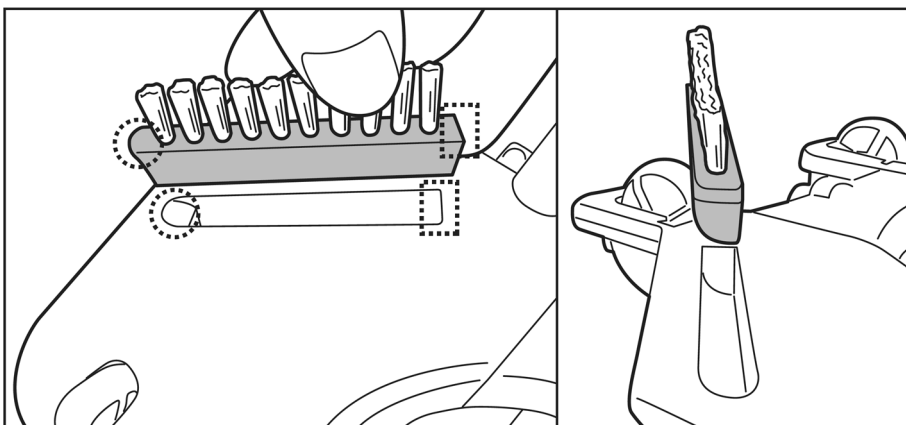


Lift up the bag to ensure it is totally secured before deploying the pool vacuum into water.

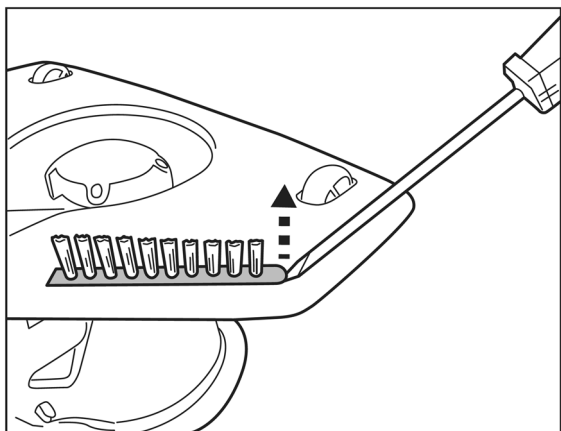
Brush assembly

Align and insert all brushes into the notches at the underside of the pool vacuum

NOTE: the 2 brushes provided are not interchangeable. Select the brush according to the curvature and shape of the notch. Ensure the brushes are fitted properly.



To detach the brush, insert the tip of a small screwdriver into the corner notch and pry up the brush.



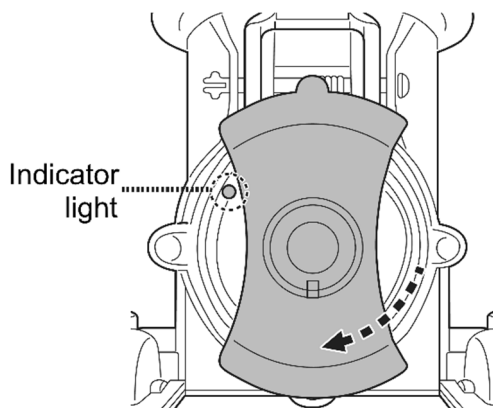
Pool Preparation

- If the liner is brittle, damaged, or wrinkled, contact a qualified professional to perform the necessary repairs or perform a liner replacement prior to using the pool vacuum.
- If you are using a saltwater pool, make sure all salt are dissolved before placing the pool vacuum into the water.

OPERATION

WARNING! KEEP YOUR FINGERS AWAY FROM THE OPENING TO AVOID BEING HIT BY THE IMPELLER WHEN IT'S ON.

- 1) Bring your pool vacuum to the side of your pool. Turn the switching knob clockwise until it stops and clicks, and the power indicator at the top corner will light up. Immerse the pool vacuum into water. The indicator will begin flashing when about 10-15 minutes of working time remains.

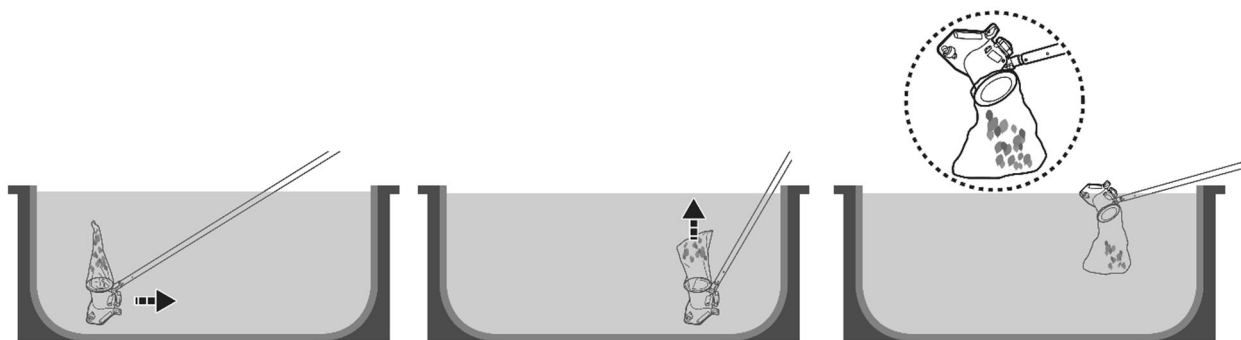


Light Color	
Green	Power On
Red	Impeller stops (impeller clogged)

To effectively vacuum up debris, ensure the pool vacuum is laid flat on the pool floor as you steer it back and forth in regular motion over debris patches for collection. Debris is collected from the front, side and back to fill up the filter bag.

Excess dirt and debris in the pool could clog the impeller, which would automatically stop to protect the motor, and the indicator light would turn red. Remove the vacuum from the pool and turn it off prior to unclogging and emptying the filter bag if it is full. To resume operation, turn the switching knob anticlockwise until Power Off is selected, then turn it clockwise to select Power On.

2) To retrieve the pool vacuum, bring it poolside and flip it upside down before lifting. This is done to prevent debris from scattering back into the pool and avoid bending the pole in the process.

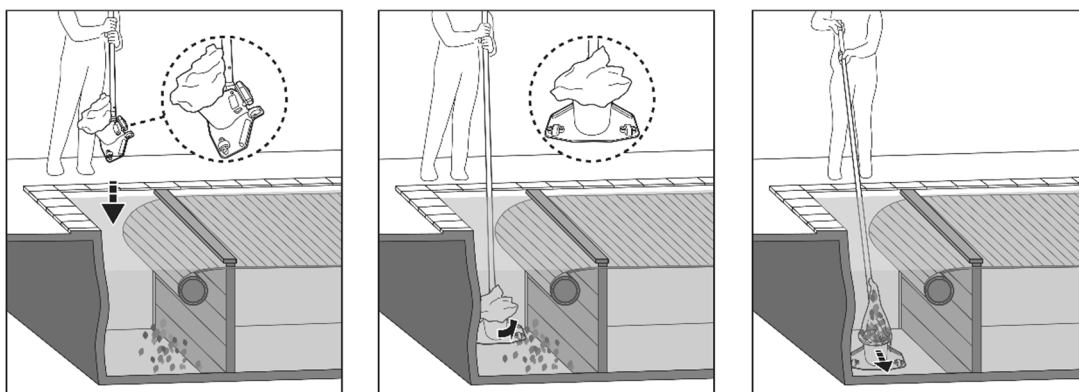


3) Rinse the pool vacuum with fresh water after every use. DO NOT use any aggressive detergent.

4) Dry the charging port and pins thoroughly (TIPS: Use cotton bud to dry them).

Vacuuming the Sunken Compartment of an Automatic Slatted Cover

WARNING! Pay attention to all safety warnings in the manual of your automatic slatted cover concerning this cleaning operation beforehand. The minimum distance required for the immersion of the vacuum into the sunken compartment is 24cm (9.5in).



- Remove the duckboard and unroll the pool slat according to instructions from your pool cover manual.
- Attach a telescopic pole / specific telescopic pole (not provided) to the pool vacuum as instructed in the manual.
- Power on the vacuum then align it as shown in the image above before immersion.
- Once the cleaner reaches the pool floor, parallel it to the pool length as shown above and start vacuuming the sunken compartment.

EMPTYING THE FILTER BAG

CAUTION! Make sure the pool vacuum is OFF before cleaning the filter bag.

Washing regularly the filter bag helps to maintain a good suction and close contact between the vacuum and the pool floor during the operation.

Place the cleaner on a flat surface. Press on the cord fastener to release the bag from the main body. It is recommended to wash the filter bag with a water jet after each pool cleaning cycle. To eliminate stubborn dirt or scum on a clogged filter, wash the filter bag in a washing machine at 30 °C (86 °F) water temperature. If brushing is deemed necessary, use only a soft brush to clean it carefully and gently to avoid any damages.

MAINTENANCE & STORAGE

NOTE:

1. Be sure to clean and dry the areas around the charging port and water sensors after every use to avoid the forming of stains (byproduct of a natural chemical reaction between electric current and water). Otherwise, the stains can be removed by light scrubbing with a cotton bud soaked with juice of lemon or vinegar.
2. Battery discharges on its own during storage. Make sure to charge the pool vacuum to about 30% to 50% of the battery capacity before it is stored.
3. You must recharge the battery at least once every three months when it is not in use.
 - Unplug the external adaptor from the socket and the charging cable from the pool vacuum.
 - Detach accessories from the pool vacuum. If necessary, rinse the pool vacuum and accessories with fresh water. DO NOT use aggressive detergent.
 - Be sure to dry the pool vacuum before storage.
 - Use a damp cloth to clean and dry the pool vacuum and its accessories.
 - Store them in a well-ventilated area away from sunlight, heat, ignition sources, pool chemicals, and from children. Ambient temperature for storage should be 10°C – 25°C (50°F – 77°F). NOTE: A higher storage temperature may reduce the battery life.

WARNING!

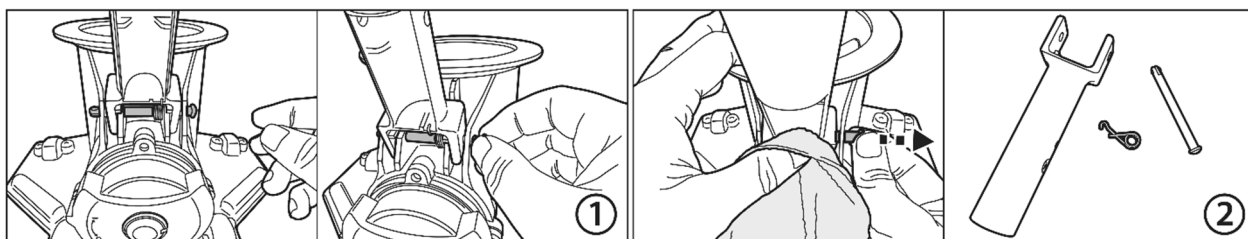
Under no circumstances should you attempt to disassemble the main unit and replace the impeller, motor, and battery by yourself.

CAUTION!

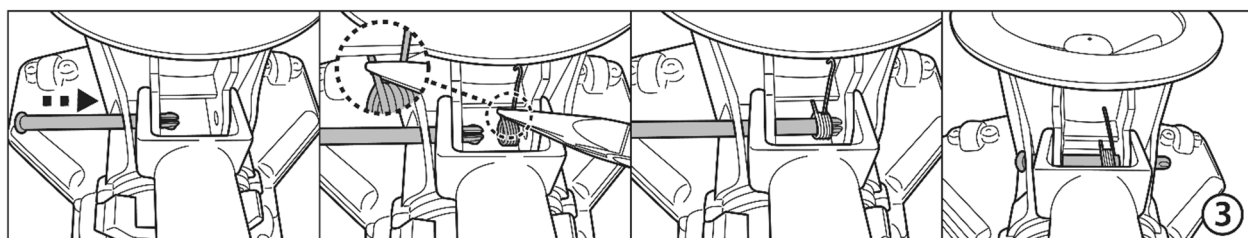
- Excessive heat can damage the battery and reduce the lifespan of your pool vacuum as a result.
- Consult your dealer regarding battery replacement if the following happens:
 - Battery does not charge fully.
 - Battery operation time is noticeably reduced. Observe and record the run times of the first few operations (on a full charge). Use these run times as a reference point for comparison with run times in the future.
- The battery must be removed from the pool vacuum before it is scrapped.
- The battery is to be disposed safely in accordance with local ordinances or regulations.

NOTE: Incorrect maintenance may reduce the battery life and affect its capacity as a result.

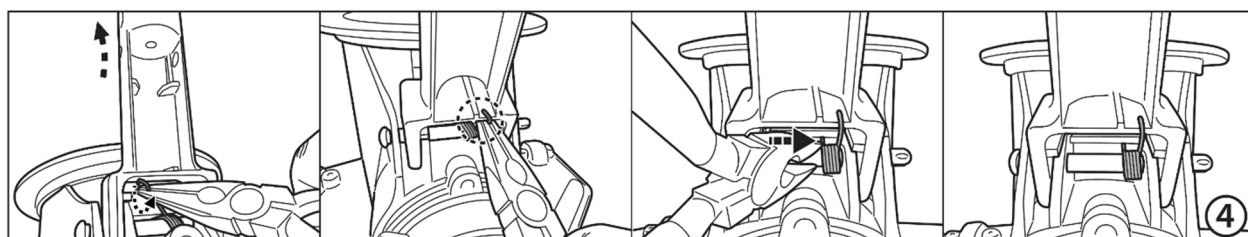
Pole connector replacement



1. Grasp the top round end of the pin. Use a pair of pliers to help with removal if necessary.
2. As the torsion spring will eject as it leaves the pin, be sure to cover the spring with a piece of cloth as you pull the pin.



3. Insert the pin from one end and place the spring as shown with the help of a pair of pliers. Ensure the hook is on top and the other end is installed underneath the bench as shown. Align and insert the pin all the way through the spring hole and opposite hole.



4. Use a pair of pliers to pull the hook from the bottom of the connector, then fix it onto the connector as shown. Move the entire spring to the right.

BATTERY DISPOSAL (To be carried out by authorized technician)

Your pool vacuum is equipped with a maintenance-free rechargeable lithium-ion battery pack, which must be disposed of properly. Recycling is required; please contact your local authority for more information.

WARNING! Never attempt to disassemble a battery pack

- Remove all personal items such as rings, bracelets, necklaces, and watches when the battery pack is unwired from the pool vacuum.
- A battery can produce a short circuit current high enough to weld a ring (or similar item) to metal, causing a severe burn in the process.
- Wear complete eye protection, gloves, and protective clothing when the battery pack is being removed.
- Avoid touching the wires altogether and avoid contact between them and

- any metal items, which could cause sparking and/or short circuit the battery.
- Never smoke or allow a spark or flame in the vicinity of the battery or the pool vacuum.
- Do not expose the battery to fire or intense heat as this may result in an explosion.

CAUTION!

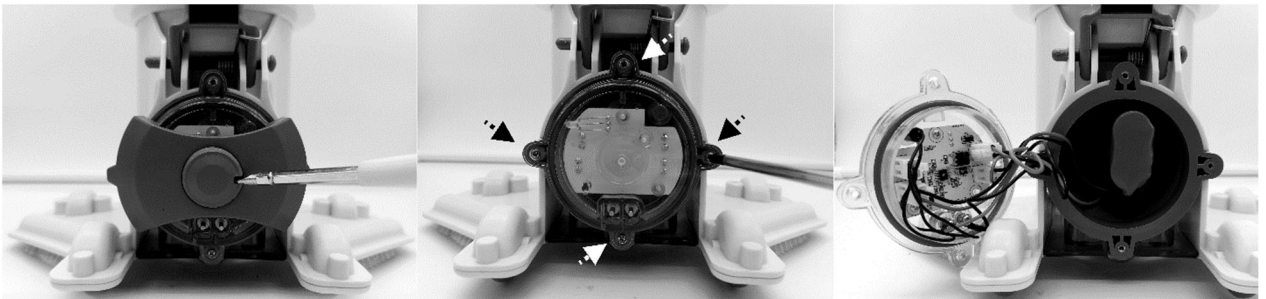
If a battery leak occurs, avoid any contact with the leaking fluids and place the damaged battery in a plastic bag.

- If leaking fluids come in contact with skin and clothing, wash immediately with plenty of soap and water.
- If leaking fluids come in contact with eyes, do not rub them and immediately flush them with cool running water for at least 15 minutes. Seek medical attention as soon as possible.

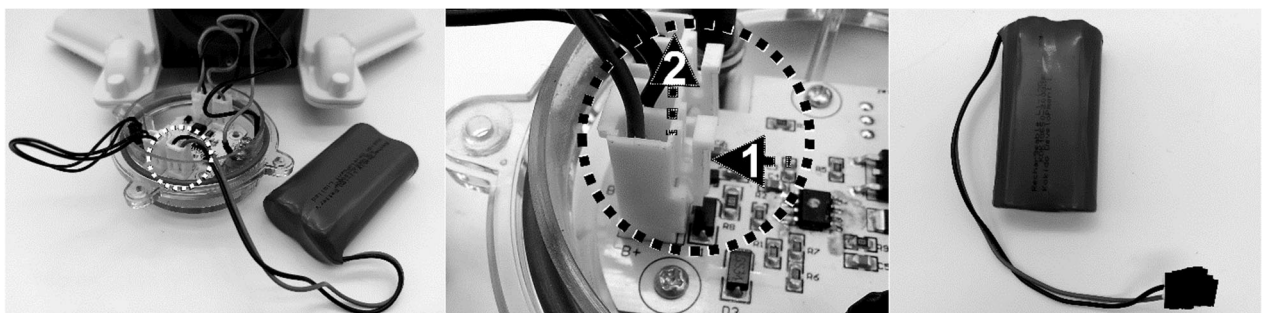
How to remove the battery pack(To be carried out by authorized technician)
Recommended tools (not included): Screwdriver.

WARNING! The pool vacuum must be disconnected from the supply mains before removing the battery pack.



1. Place the pool vacuum on a flat surface. Use the screwdriver to pry open the small cover and unfasten the 4 screws. Remove the battery from the chamber.



2. Remove the battery from the unit and locate the battery cable connector. Press on the clip of the connector to pull it out. NOTE: Wrap the connector immediately with insulating tape in order to avoid any short circuit caused by the contact of both wire terminals.



TROUBLESHOOTING

Problem	Possible Cause	Solution
Cleaner does not start working	Out of battery	Charge the pool vacuum.
Does not capture the debris / debris is leaked into the pool	Low battery	Charge the pool vacuum.
	Jammed impeller	Remove the pool vacuum from the water and turn the knob anticlockwise to shut it off. Check and see if the impeller is jammed by large debris. Remove the debris. If necessary, contact your dealer for further instructions. WARNING! Make sure the pool vacuum is off before the unit is serviced.
	Broken impeller	Contact your dealer for replacement.
Charging time is longer than advertised	Filter bag is full / clogged	Clean the filter bag.
	Stained charging pins	The stains can be removed by using a cotton bud soaked with juice of lemon or vinegar to clean the areas around the charging pins.
Cleaner cannot be charged	Damaged battery	Contact dealer for battery replacement. WARNING! DO NOT replace the battery by yourself. This could result in severe or fatal injuries and the warranty will be voided as a result.
	Charging cable is not correctly connected to external adaptor and pool vacuum	Refer to instruction manual and connect the charging accessories correctly.
	External adaptor is out of order	Contact dealer for replacement. WARNING! Using the wrong external adaptor will result in damaging the pool vacuum / battery and voiding the warranty as a result.
Environmental Programmes, WEEE European Directive		
	Please respect the European Union regulations and help to protect the environment. Return non-working electrical equipment to a facility appointed by your municipality that properly recycles electrical and electronic equipment. Do not dispose them in unsorted waste bins. For items containing removable batteries, remove batteries before disposing of the product.	
	© 2021 Kokido Development Ltd. All rights reserved. No part of this document may be reproduced or transmitted in any form or by any means, electronic, mechanical, photocopying, recording, or otherwise, without prior written permission of Kokido Development Ltd. (V1)	21007030

If soft copy of this instruction manual is required, please contact our customer service by email: customerservice@kokido.com


SAVE THESE INSTRUCTIONS

AVERTISSEMENTS DE SÉCURITÉ ET INSTRUCTIONS

Les informations contenues dans ce manuel d'instructions vous permettront d'utiliser l'appareil en toute sécurité, à vous protéger ainsi que les autres et à éviter d'endommager l'appareil ou d'autres biens.

CONSERVEZ CES INSTRUCTIONS

AVERTISSEMENT !

- Ceci n'est pas un JOUET. Cet aspirateur de piscine et ses accessoires doivent être maintenus hors de la portée des enfants.
- Ne jamais permettre aux enfants de faire fonctionner ce produit.
- Ce dispositif n'est pas destiné à être utilisé par des personnes ayant des capacités physiques, sensorielles ou mentales diminuées, ou un manque d'expérience et de connaissances, sauf si elles sont sous supervision ou ont reçu des instructions concernant l'utilisation sûre de l'appareil par une personne responsable de leur sécurité.
- Les enfants ne doivent pas jouer avec ce produit.
- Le nettoyage et l'entretien du produit ne doivent pas être effectués par des enfants.
- S'assurer que l'aspirateur de piscine est totalement immergé dans l'eau avant de le mettre en marche. L'appareil doit être complètement immergé dans l'eau afin de fonctionner correctement. Faire fonctionner l'aspirateur de piscine lorsqu'il n'est pas immergé correctement dans l'eau peut endommager l'unité et annuler de ce fait la garantie.
- La profondeur maximale de fonctionnement dans l'eau est de 3 mètres (9.8 pieds).
- Température minimale et maximale de l'eau : 5°C – 35°C.
- Pour recharger la batterie, utilisez uniquement l'unité d'alimentation amovible (adaptateur externe) fournie avec ce produit.
-  unité d'alimentation amovible (adaptateur externe).
- L'aspirateur de piscine ne doit être rechargé qu'avec l'adaptateur externe et la câble de charge livrés avec ce produit.
- À l'effet de recharger la batterie, utiliser seulement l'unité d'alimentation amovible (modèle adaptateur externe : DSS12D-0841000-B / DSS12D-0841000-C / DSS12D-0841000-D/ LX084100U) qui est fourni avec cet aspirateur de piscine pour charger la batterie.
- Connecter le transformateur à une source d'alimentation par l'intermédiaire d'un dispositif à courant différentiel résiduel (DDR) ou d'un disjoncteur de fuite à la terre (GFCI). En cas de doute, consultez un électricien professionnel qualifié.
- Ne pas utiliser cet aspirateur de piscine si un dommage quelconque est détecté.
- Remplacer les pièces endommagées avec des pièces certifiées par le distributeur ou le fabricant.
- Mettre hors tension, débrancher l'adaptateur externe de la source

- d'alimentation, et débrancher l'adaptateur externe de la câble de charge avant de séparer l'aspirateur de piscine de la câble de charge.
- Débrancher l'aspirateur de piscine de l'alimentation principale avant de réaliser la maintenance d'utilisateur telle que le nettoyage du filtre.
 - Ne remplacez pas la batterie rechargeable Li-ion préinstallée.
 - NE PAS manipuler l'aspirateur de piscine, l'adaptateur externe ou la câble de charge lors de la recharge avec des membres humides et sans chaussures.
 - Vous ne devez pas utiliser cet aspirateur de piscine lorsque des personnes / animaux domestiques sont présents dans l'eau.
 - NE PAS utiliser cet aspirateur de piscine sans un sac de filtration intact en place, car votre garantie serait annulée de ce fait.
 - Danger de piégeage de l'aspiration : Cet aspirateur de piscine produit une aspiration. Ne pas permettre que les cheveux, le corps, ou toutes parties lâches de vos vêtements entrent en contact avec l'orifice d'aspiration de l'aspirateur de piscine pendant son fonctionnement.
 - NE JAMAIS introduire des parties du corps, vêtements ou autres objets dans les ouvertures et pièces mobiles de l'aspirateur de piscine.
 - NE PAS utiliser ce aspirateur de piscine pour ramasser des substances toxiques, inflammables ou liquide combustibles (comme de l'essence), ni en présence de vapeurs explosives ou inflammables.
 - Ne jamais tenter de démonter d'une quelconque façon cet aspirateur de piscine afin de remplacer vous-même la turbine, le moteur ou la batterie.
 - Ne jamais introduire les doigts ou un quelconque objet qui toucherait la turbine.
 - La batterie intégrée doit être retirée par un technicien qualifié avant d'être mise au rebut.
 - Ce aspirateur de piscine contient une batterie qui ne peut être retirée que par des personnes qualifiées.
 - Le aspirateur de piscine doit être déconnecté du réseau d'alimentation lors du retrait de la batterie..
 - Pour plus de détails sur la mise en rebut la batterie veuillez vous reporter à la section "MISE AU REBUT DE LA BATTERIE" de ce manuel et contactez les autorités locales pour plus d'informations.
 - La batterie doit être détruite en toute sécurité conformément aux réglementations locales.
 - Adaptateur externe et câble de charge :
 - Ne jamais utiliser l'adaptateur externe et la câble de charge pour tout autre chose que le chargement de la batterie de l'aspirateur de piscine qui est fournie dans le même bloc.
 - L'adaptateur externe et la câble de charge ne doivent pas être utilisés à l'extérieur, ni exposés à la pluie, à l'humidité, à un quelconque liquide ou à la chaleur.
 - Le transformateur (ou l'adaptateur externe) doit être situé en dehors de la zone 1.
 - Maintenir l'adaptateur externe et la câble de charge hors de la portée des enfants.

- Ne jamais utiliser l'adaptateur externe et la câble de charge si un quelconque dommage est détecté.
- NE PAS manipuler l'adaptateur externe et la câble de charge avec des mains humides.
- Gardez l'adaptateur externe déconnecté de l'alimentation lorsqu'il n'est pas cour d'utilisation.
- Ne jamais tenter d'ouvrir l'adaptateur externe et la câble de charge.
- Si le cordon d'alimentation de l'adaptateur externe est endommagé, cet adaptateur externe doit être remplacé par le fabricant ou son agent de service pour empêcher des dangers de toute nature.
- S'assurer que l'aspirateur de piscine et la câble de charge sont complètement secs avant de charger.

MISE EN GARDE !

- Cet aspirateur de piscine est uniquement conçu pour une utilisation sous l'eau ; il ne s'agit pas d'un aspirateur tout usage. NE PAS tenter de l'utiliser pour nettoyer tout autre chose que votre piscine.
- Utiliser uniquement les accessoires originaux livrés avec ce produit.
- Ne pas utiliser cet aspirateur de piscine juste après le nettoyage chimique de la piscine. Il est recommandé de laisser circuler l'eau dans la piscine durant au moins 24-48 heures.
- Si vous prévoyez d'utiliser l'aspirateur dans une piscine d'eau salée, assurez-vous que tout le sel est dissous avant de le placer dans l'eau.
- Ne pas utiliser cet aspirateur de piscine avec un autre aspirateur / nettoyeur électrique simultanément..
- Éviter de ramasser des objets durs ou pointus avec ce produit. Ils peuvent endommager l'aspirateur de piscine et le filtre.
- Pour éviter d'endommager l'adaptateur externe et la câble de charge, ne pas transporter l'aspirateur de piscine par le câble de l'adaptateur externe et ne pas tirer sur le câble pour le débrancher de la source d'alimentation et de la câble de charge.
- Charger l'aspirateur de piscine à l'intérieur dans une zone propre et sèche avec une bonne aération et à l'abri du soleil.
- NE PAS laisser l'aspirateur de piscine chargé pendant plus de 10 heures.
- Si l'aspirateur de piscine n'est pas utilisé pendant une longue période de temps, le séparer de la câble de charge et utiliser un chiffon humide pour nettoyer et sécher l'aspirateur de piscine et ses accessoires. S'assurer de charger l'aspirateur de piscine à 30% - 50% de sa capacité avant de le ranger. Le ranger dans une zone bien aérée éloignée de la lumière du soleil, de la chaleur, de sources d'ignition, des produits chimiques pour la piscine et des enfants. Ne jamais laisser l'aspirateur de piscine branché pour un stockage à long terme. Recharger l'aspirateur de piscine tous les trois mois.
- Toutes les actions concernant le démontage de l'unité principale (c'est-à-dire élimination de la batterie) ne peuvent être effectuées que par un technicien agréé.

Les avertissements et mises en garde ci-dessus ne prétendent pas inclure tous les possibles cas de risques et / ou de blessures graves. Les propriétaires de piscine / spas doivent toujours prendre des précautions supplémentaires et utiliser leur bon sens lorsqu'ils utilisent le produit.

DÉBUT DES OPÉRATIONS

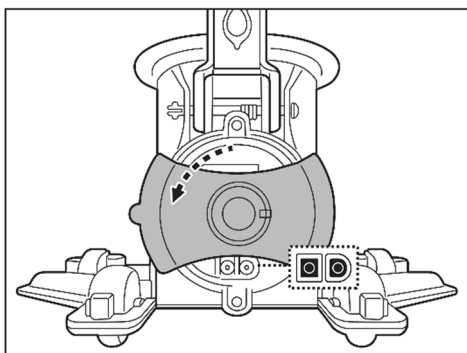
Chargement de la batterie

NOTE IMPORTANTE : Charger complètement l'aspirateur de piscine (environ 6 heures) avant la première utilisation.

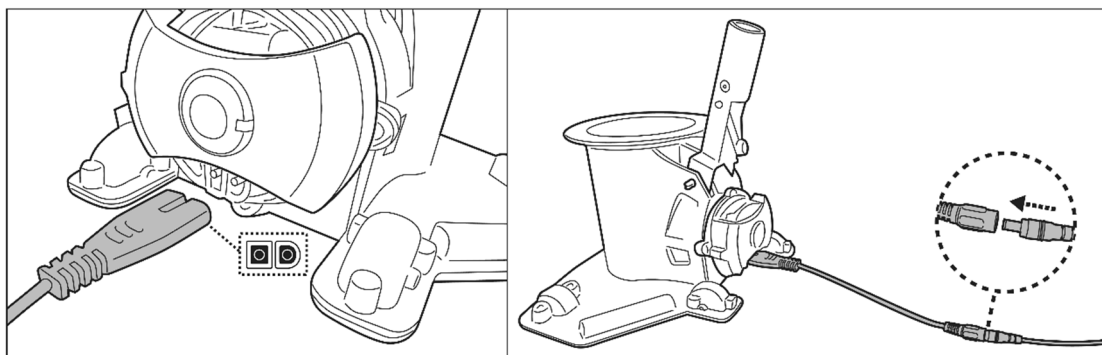
AVERTISSEMENT !

- ÉLOIGNEZ VOS DOIGTS DE L'OUVERTURE POUR ÉVITER DE VOUS COGNER CONTRE LA TURBINE PENDANT SON FONCTIONNEMENT.
- Utiliser uniquement le transformateur et la câble de charge fournis.
- Assurez-vous que le aspirateur de piscine et le port de charge soient propres et secs avant la charge. (CONSEILS: utilisez un coton-tige pour le sécher ainsi que les broches de charge)
- Les broches de chargement sont étanches. Cependant, l'eau stagnante dans le port et autour des broches pourraient entraîner l'apparition naturelle de taches (un sous-produit de la réaction chimique entre l'eau et les courants électriques). Les taches peuvent être éliminées en frottant légèrement avec un coton-tige imbibé de jus de citron ou de vinaigre.

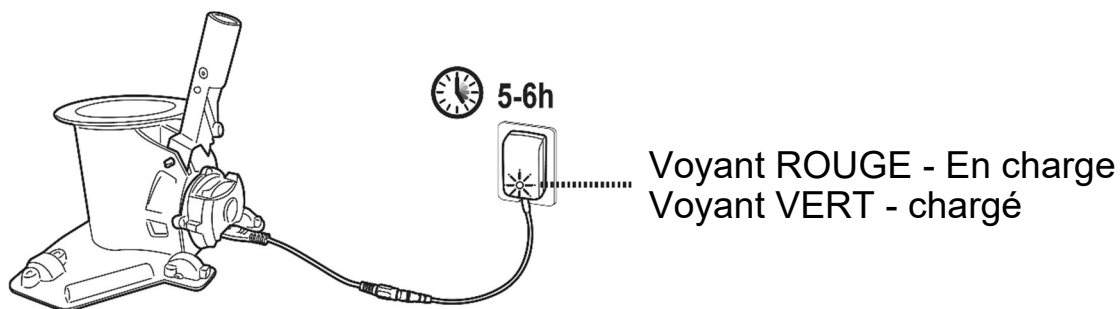
1. Placez l'appareil sur une surface plane. Réglez l'appareil en mode hors tension / en mode de charge en tournant le bouton dans le sens inverse des aiguilles d'une montre jusqu'à ce qu'il s'enclenche et expose complètement le port de charge.



2. Alignez et fixez la câble de charge au port de charge. AVERTISSEMENT ! Veillez à ne pas inverser la câble de charge et assurez-vous que la câble de charge et le port de charge soient propres et secs avant de les brancher. Conseils: Pour sécher le port de charge et les broches, utilisez du coton-tige. Connectez la fiche du câble de l'adaptateur au port du câble de charge.



3. Connectez l'adaptateur externe à la source d'alimentation. Le voyant de l'adaptateur externe devient rouge lorsque l'aspirateur est en charge et vert lorsqu'il est complètement chargé. Chargez-le pendant 5-6 heures pour de meilleures performances.



- Déconnectez immédiatement l'adaptateur externe de la source d'alimentation si vous observez l'un des éléments suivants :
 - Mauvaise ou inhabituelle odeur
 - Chaleur excessive
 - Déformation, fissures, fuites
 - Fumée
4. Une fois la charge terminée, débranchez l'adaptateur externe de la source d'alimentation et débranchez le câble de charge de l'unité principale.
- AVERTISSEMENT !** Ne laissez jamais la câble de charge lorsque l'aspirateur est dans l'eau.

Normalement, l'aspirateur de piscine est conçu pour fonctionner jusqu'à 75 minutes à charge pleine.

Remarque : Videz régulièrement le sac de filtration. Des débris excessifs peuvent empêcher le moteur de fonctionner correctement et raccourcir la durée de fonctionnement.

REMARQUE : la batterie lithium-ion rechargeable est classée comme une marchandise consommable. Elle a une durée de vie limitée et perdra progressivement sa capacité de charge. Par conséquent, le temps de fonctionnement de l'aspirateur de piscine diminuera progressivement après des charges et décharges répétées tout au long de sa durée de vie.

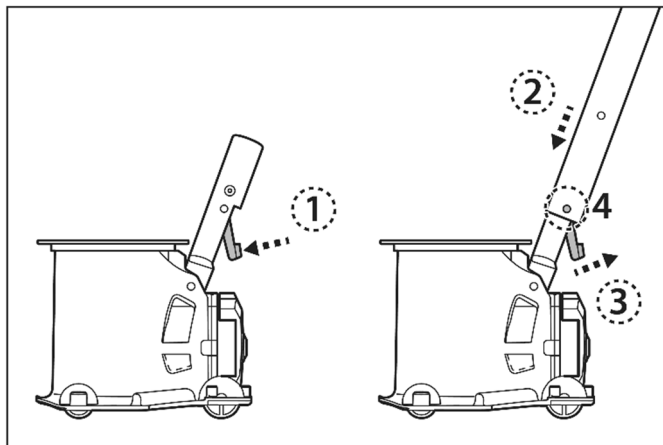
Une fois que la durée de vie de la batterie arrive à son terme, reportez-vous à la section «ÉLIMINATION DES BATTERIES» pour les instructions concernant l'élimination de la batterie.

REMARQUE : Ne mettez pas en marche l'aspirateur pendant environ 30 à 40 minutes avant de le recharger.

Réglage avant l'utilisation

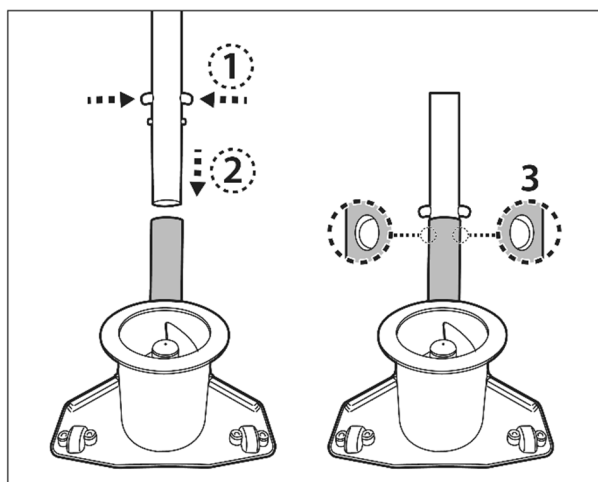
Ensemble manche télescopique(non fourni) (uniquement pour l'USA /EU)

Appuyez sur le clip en V du connecteur du manche télescopique pour rétracter ses broches latérales. Faites glisser le manche télescopique dans le connecteur jusqu'à ce qu'il soit bien enclenché dans les broches latérales puis relâchez le clip en V.

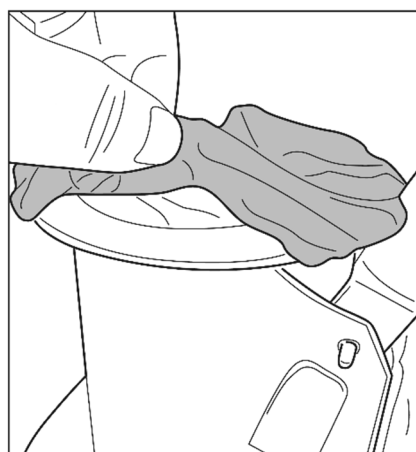


Ensemble manche télescopique spécifique (non fourni) (uniquement pour l'Australie /Nouvelle-Zélande)

Appuyez sur le clip interne de fixation (préinstallé à l'intérieur du manche télescopique spécifique) pour rétracter les broches internes. Faites glisser le manche télescopique spécifique dans le connecteur jusqu'à ce qu'il soit bien enclenché dans les broches et les trous latéraux.



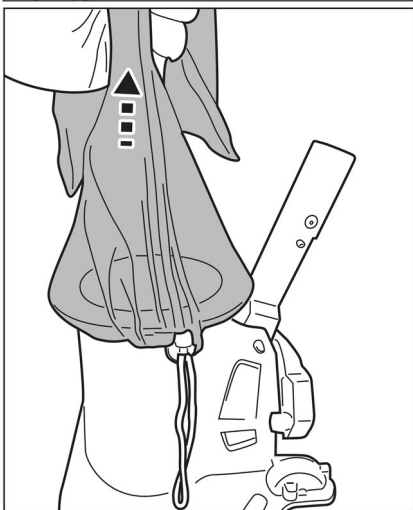
Ensemble sacs filtre



Disposer le sac de filtration sur l'ouverture du haut du corps principal de l'aspirateur. Assurez-vous que le cordon du sac soit placé sous la bride de l'ouverture.



Appuyez sur l'attache du cordon et puis tirez sur le cordon en le poussant sous la bride.
 Conseil : Pour fixer le sac filtrant, lorsque vous poussez l'attache du cordon sous la bride, tirez sur un seul cordon des deux cordons comme indiqué sur le schéma.

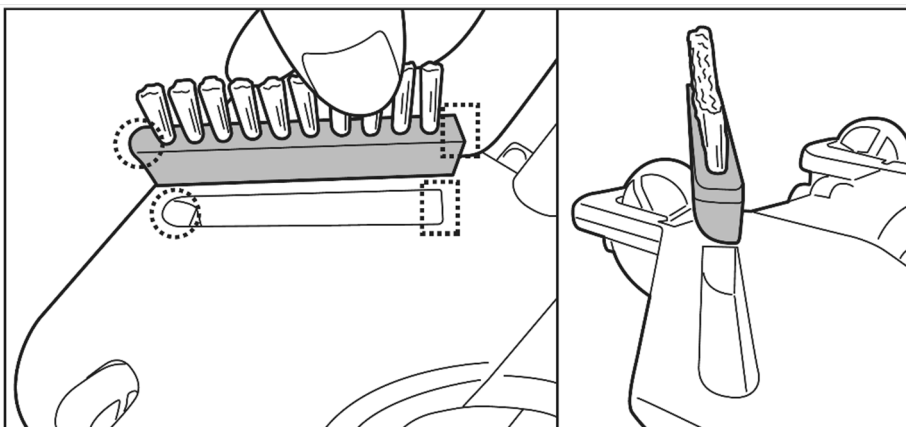


Soulevez le sac pour vous assurer qu'il est totalement attaché avant de déployer l'aspirateur de piscine dans l'eau.

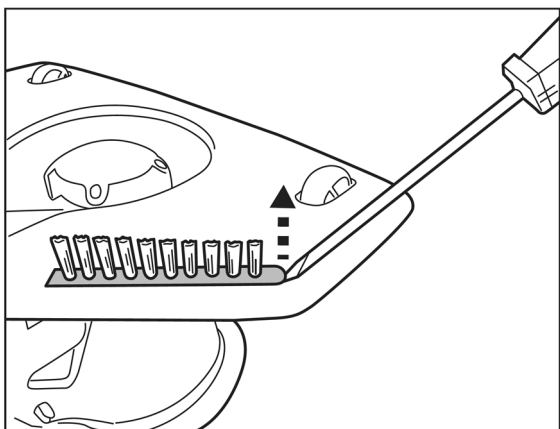
Ensemble brosse

Alignez et insérez toutes les brosses dans les encoches situées sous l'aspirateur de piscine.

ATTENTION : les 2 brosses fournies ne sont pas interchangeables. Sélectionnez la brosse en fonction de la courbure et de la forme de l'encoche. Assurez-vous que les brosses sont bien ajustées.



Pour séparer la brosse, introduire la pointe d'un petit tournevis dans l'encoche en coin et soulever la brosse.



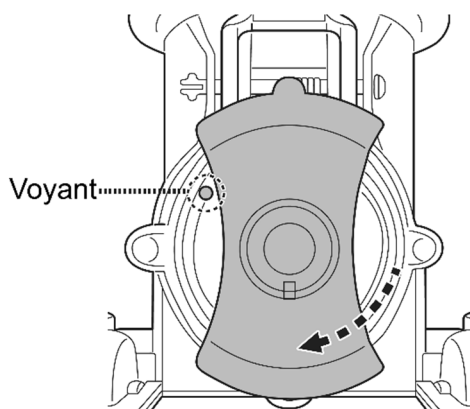
Préparation de la piscine

- Si le liner est cassant, endommagé ou froissé, contactez un professionnel qualifié pour effectuer les réparations nécessaires ou effectuer un remplacement du liner avant d'utiliser l'aspirateur de piscine.
- Si vous utilisez une piscine d'eau salée, assurez-vous que tout le sel soit dissous avant de placer l'aspirateur de piscine dans l'eau.

FONCTIONNEMENT

AVERTISSEMENT ! ÉLOIGNEZ VOS DOIGTS DE L'OUVERTURE POUR ÉVITER DE VOUS COGNER CONTRE LA TURBINE PENDANT SON FONCTIONNEMENT.

- 1) Mettre votre aspirateur de piscine sur le côté de votre piscine. Tournez le bouton dans le sens des aiguilles d'une montre jusqu'à ce qu'il s'arrête et fasse clic. L'indicateur placé sur le coin supérieur s'allumera. Plongez l'aspirateur dans l'eau. L'indicateur se met à clignoter environ 10-15 minutes avant la fin du temps de fonctionnement.



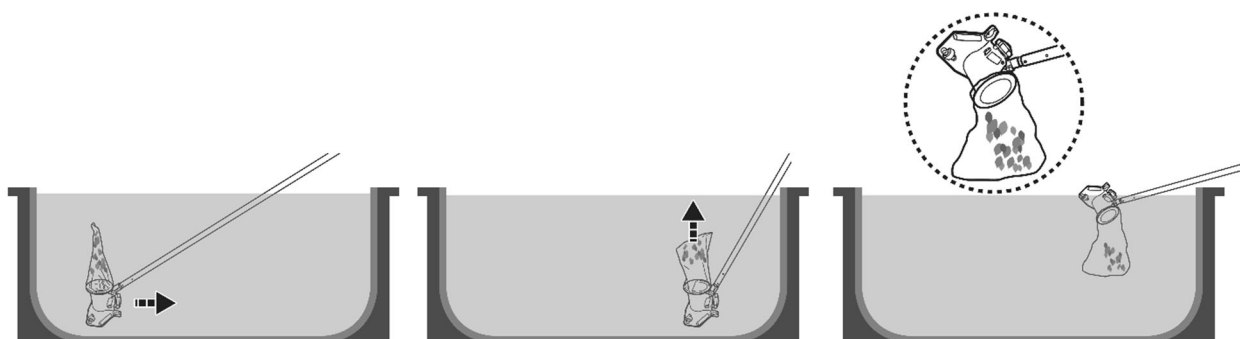
Couleur du voyant	
Vert	En marche
Rouge	Turbine arrêtée (turbine bloquée)

Placez l'aspirateur de piscine à plat sur le sol de la piscine. Déplacez-le en direction des débris avec des mouvements réguliers, cela aspirera les débris par le bas, ils seront collectés dans le sac d'aspiration.

De trop de gros débris/saleté, peuvent bloquer la turbine, qui s'arrêtera automatiquement pour protéger le moteur, le voyant lumineux deviendra rouge.

Retirez l'aspirateur de la piscine et éteignez-le avant de le déboucher et de vider le sac filtrant si celui-ci est plein. Pour reprendre l'opération, tournez le bouton dans le sens inverse des aiguilles d'une montre jusqu'à ce qu'il clique sur « arrêt », puis tournez-le à nouveau dans le sens des aiguilles d'une montre sur « marche ».

2) Pour récupérer l'aspirateur de la piscine, amenez-le au bord de la piscine et retourner-le à l'envers avant de le soulever. Ceci permettra aux débris de ne pas se disperser dans la piscine et pour éviter de tordre le manche télescopique.



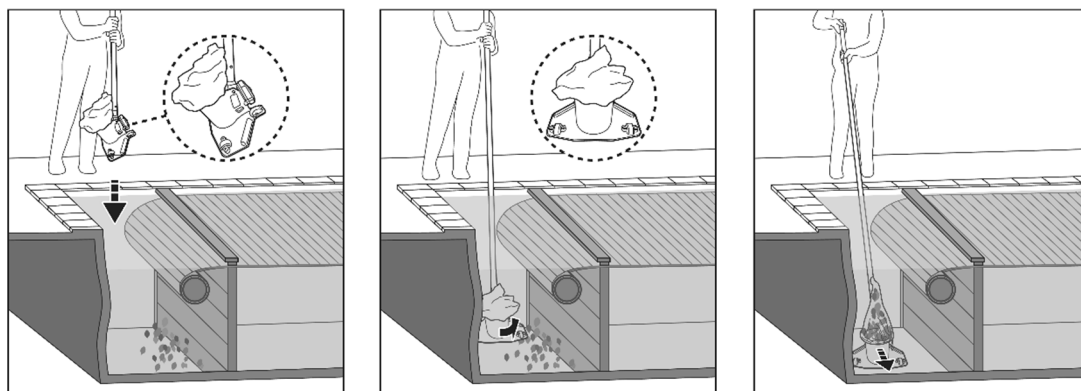
3) Rincez l'aspirateur de la piscine avec de l'eau douce après chaque utilisation. N'utiliser PAS de détergent agressif.

4) Séchez soigneusement le port de charge et les broches (Conseil : utilisez un coton-tige pour les sécher).

Passer l'aspirateur dans le compartiment submergé de votre couverture à lattes automatique

AVERTISSEMENT! Prêtez attention à tous les avertissements de sécurité dans le manuel de votre couverture à lattes automatique concernant avant cette opération de nettoyage.

- La distance minimale requise pour l'immersion du vide dans le compartiment submergé est de 29 cm (9.5 pouces)



- Retirez le caillebotis et déroulez la couverture de la piscine selon les instructions de votre manuel de couverture de piscine.
- Fixez un manche télescopique / manche télescopique spécifique (non fourni) à la connecteur du manche comme indiqué dans le manuel.
- Mettez l'aspirateur sous tension, puis alignez-le comme indiqué dans l'image ci-dessus avant l'immersion.
- Une fois que l'aspirateur atteint le fond de la piscine, parallèle à la longueur de la piscine comme indiqué ci-dessus, commencez à aspirer le compartiment submergé.

VIDER LE SAC DE FILTRATION

MISE EN GARDE ! Assurez-vous que l'aspirateur est éteint avant de nettoyer le sac de filtration.

Le nettoyage régulier du sac filtrant permet d'assurer une bonne aspiration et un contact étroit entre l'aspirateur et le sol de la piscine pendant l'opération.

Placez l'aspirateur sur une surface plate. Appuyez sur l'attache du cordon pour libérer le sac du corps principal. Il est recommandé de laver le sac filtrant avec un jet d'eau après chaque cycle de nettoyage de la piscine. Pour éliminer les saletés tenaces ou l'écume d'un filtre bouché, lavez le sac filtrant dans une machine à laver à une température de 30 °C. Si vous devez le brossez, utilisez uniquement une brosse douce pour le nettoyer soigneusement et délicatement afin d'éviter tout dommage.

MAINTENANCE ET STOCKAGE

NOTE :

1. Assurez-vous de nettoyer et de sécher les zones autour du port de charge et des capteurs d'eau après chaque utilisation pour éviter la formation de taches (sous-produit d'une réaction chimique naturelle entre le courant électrique et l'eau). Les taches peuvent être éliminées grâce à un coton-tige imbibé de jus de citron ou de vinaigre.
2. La batterie se décharge toute seule pendant le stockage. S'assurer de recharger l'aspirateur électrique à 30%- 50% avant de le stocker.
3. Recharger la batterie au minimum une fois tous les trois mois lorsqu'elle n'est pas fréquemment utilisée.
 - Débrancher l'adaptateur externe de la prise et débrancher le câble de la prise de charge.
 - Séparer les accessoires de l'aspirateur de piscine. Si nécessaire, rincer l'aspirateur de piscine et les accessoires à l'eau douce. Ne pas utiliser de savon agressif.
 - Séchez l'aspirateur avant le stockage
 - Utiliser un chiffon humide pour nettoyer et sécher l'aspirateur de piscine et ses accessoires.
 - Les ranger dans une zone bien aérée éloignée de la lumière du soleil, de la chaleur, des sources d'ignition et des produits chimiques pour la piscine et tenir hors de la portée des enfants. La température ambiante de stockage doit être de 10°C – 25°C. NOTE : Une température de stockage plus élevée peut réduire la vie de la batterie.

AVERTISSEMENT !

En aucun cas, vous ne devez tenter de démonter l'aspirateur de piscine et de remplacer la turbine, le moteur et la batterie de par vous-même.

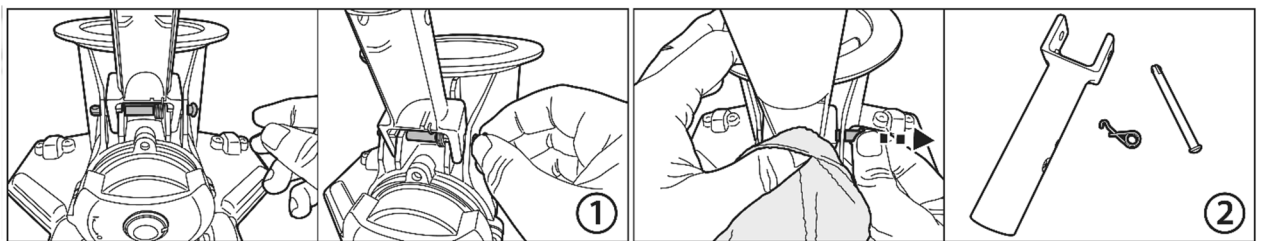
MISE EN GARDE !

- La chaleur excessive peut endommager la batterie et réduire par conséquent sa durée de vie.
- Consultez votre revendeur concernant le remplacement de la batterie si :

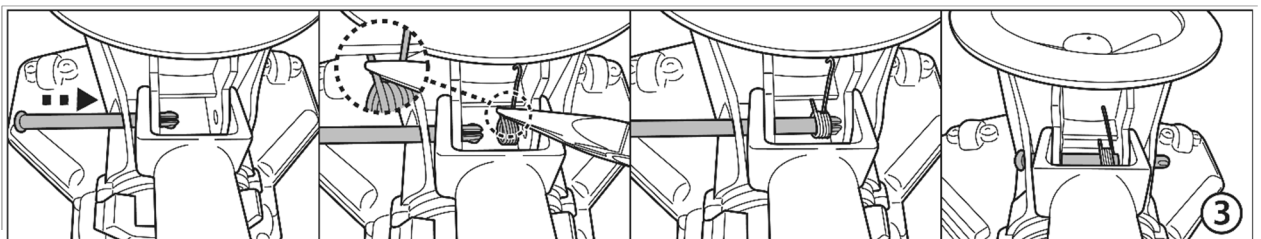
- La batterie ne charge pas complètement.
- Le temps de fonctionnement de la batterie est significativement réduit. Observer et noter le temps de fonctionnement pendant les premières utilisations (à pleine charge). Utiliser cette information comme point de référence pour comparer le temps de fonctionnement.
- La batterie doit être retirée de l'aspirateur de piscine avant d'être éliminée.
- La batterie doit être éliminée sous une forme sûre et conformément aux ordonnances ou réglementations locales.

NOTE : Une maintenance incorrecte peut réduire la durée de vie de la batterie et affecter de ce fait sa capacité.

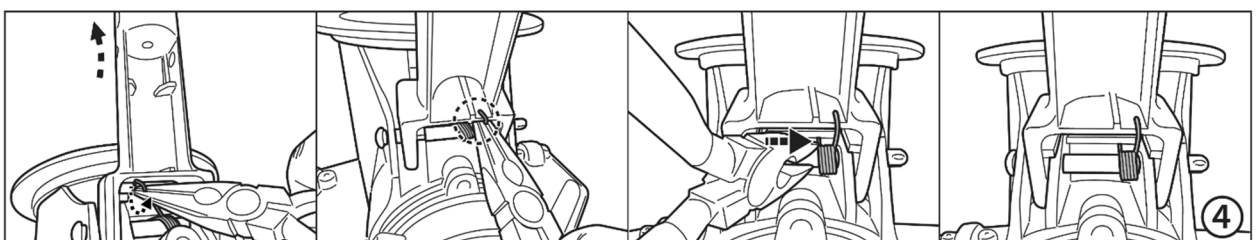
Remplacement de la connecteur du manche



1. Saisissez l'extrémité supérieure ronde de la broche. Utilisez une paire de pinces si nécessaire.
2. Comme le ressort est éjecté pendant l'extraction de la broche, n'oubliez pas de le recouvrir avec un morceau de tissu pendant l'opération.



3. Insérez la broche d'un côté et replacez le ressort comme indiqué à l'aide d'une paire de pinces. Assurez-vous que le crochet est placé au-dessus verticalement, et que l'autre côté est placé sous la partie plate indiquée ci-dessus. Alignez et insérez la broche sur toute la distance à travers le trou du ressort jusqu'au trou du côté opposé.



4. Utilisez une paire de pinces pour tirer le crochet du bas de la connecteur, puis fixez-le sur la connecteur comme indiqué. Déplacez l'ensemble du ressort vers la droite.

ÉLIMINATION DES BATTERIES (réaliser par un technicien agréé)

Votre aspirateur de piscine est équipé d'un bloc de batteries rechargeables au lithium (aucune maintenance nécessaire), qui doit être éliminé correctement. Son recyclage est requis ; veuillez contacter les autorités locales de votre région pour une plus ample information.

AVERTISSEMENT ! Ne jamais tenter de démonter un bloc de batteries

- Retirer tous les objets personnels tels que bagues, bracelets, colliers et montres lorsque le bloc de batteries n'est pas connecté à l'aspirateur de piscine.
- Une batterie peut produire un courant de court-circuit suffisamment élevé pour souder une bague (ou un article similaire) en métal, causant ainsi une grave brûlure dans le processus.
- Porter un protecteur complet pour les yeux, des gants et des vêtements de protection lorsque le bloc de batteries est retiré.
- Éviter absolument de toucher les fils et éviter de leur permettre de faire contact avec tous objets métalliques, ce qui pourrait causer une émission d'étincelles et/ou court-circuiter la batterie.
- Ne jamais fumer ni permettre qu'une étincelle ou une flamme ne se produise dans le voisinage de la batterie ou de l'aspirateur de piscine.
- Ne pas exposer la batterie au feu ou à une chaleur intense car cela pourrait produire une explosion.

MISE EN GARDE !

Si une fuite de la batterie se produit, éviter le contact avec les liquides de fuite et placer la batterie endommagée dans un sac en plastique.

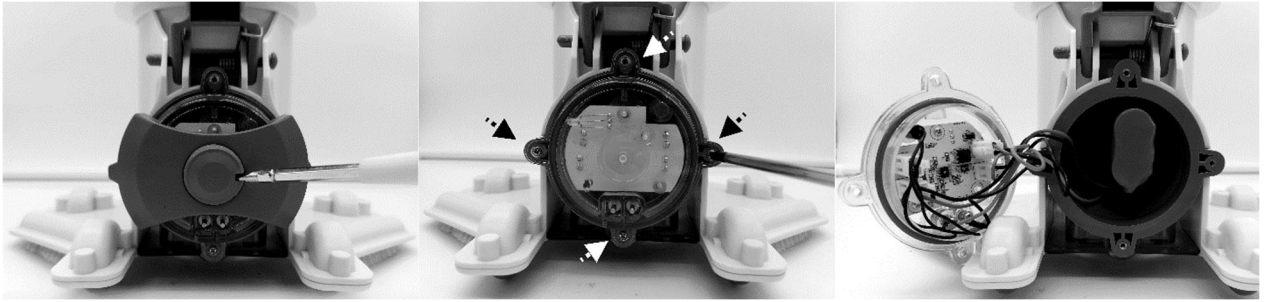
- Si les liquides de fuite entrent en contact avec la peau et les vêtements, les laver immédiatement avec une grande quantité de savon et d'eau.
- Si les liquides de fluides entrent en contact avec les yeux, ne pas se frotter les yeux, rincer immédiatement les yeux à l'eau courante froide pendant 15 minutes au moins et ne pas les frotter. Demander une assistance médicale le plus rapidement possible.

Comment retirer le bloc de batteries uniquement à des fins de recyclage de la batterie (Ceci doit être réalisé par un technicien autorisé)

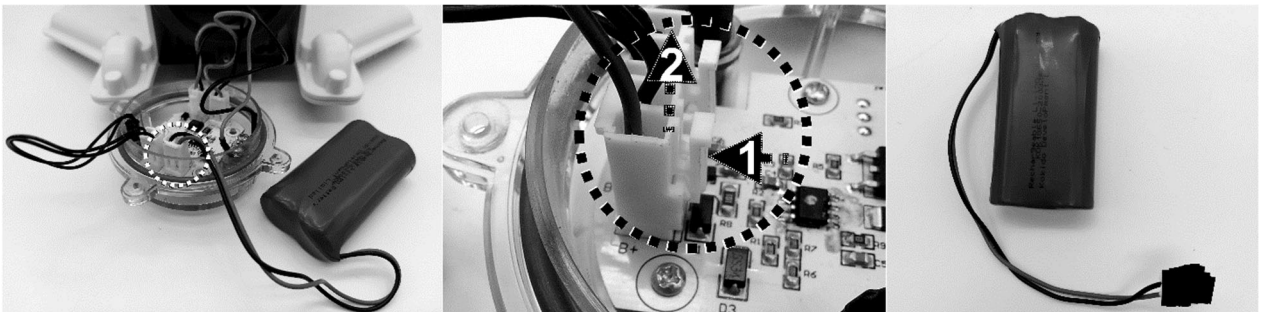
Outils recommandés (non inclus) : Tournevis.

AVERTISSEMENT ! L'aspirateur de piscine doit être débranché du secteur avant de retirer la batterie.

1. Placez l'aspirateur de piscine sur une surface plate. Utilisez le tournevis pour faire levier sur le petit couvercle et dévisser les 4 vis. Retirez la batterie du module.





2. Retirez la batterie de l'appareil et localisez le fil de connexion de la batterie. Pour détacher le fil de connexion de la batterie, appuyez sur le clip du connecteur pour le retirer. **REMARQUE** : Enveloppez immédiatement le connecteur avec du ruban isolant afin d'éviter tout court-circuit provoqué par le contact des deux bornes de fil.



REPÉRAGE DE PANNES

Problème	Cause possible	Solution
Le nettoyeur ne commence pas à travailler	La batterie est épuisée	Recharger la batterie.
L'aspirateur de piscine ne capture pas les débris / les débris ont fui dans la piscine	Batterie faible	Recharger la batterie.
	La turbine est bloquée	Retirez l'aspirateur de piscine de l'eau et tournez le bouton dans le sens inverse des aiguilles d'une montre pour éteindre l'aspirateur. Vérifiez si la turbine est coincée par de gros débris. Retirez les débris. Si nécessaire, contactez votre revendeur pour plus d'instructions. AVERTISSEMENT ! Assurez-vous que l'aspirateur de piscine est éteint avant d'effectuer l'entretien de l'unité.
	La turbine et cassée	Contactez votre concessionnaire pour le remplacement de la turbine.
	Le filtre est plein / obstrué	Nettoyer le filtre.
Le temps de charge est plus long que spécifié	Broches de charge tachées	Les taches peuvent être éliminées en utilisant un coton-tige imbibé de jus de citron ou de vinaigre pour nettoyer les zones autour des capteurs d'eau.
L'aspirateur de piscine ne peut pas être chargé / rechargé	La batterie est endommagée	Contactez le concessionnaire pour le remplacement de la batterie. AVERTISSEMENT ! NE PAS ouvrir l'aspirateur de piscine et remplacer la batterie de par vous-même. Cela pourrait causer des blessures graves ou mortelles et la garantie serait annulée de ce fait.
	La câble de charge n'est pas correctement connectée à l'adaptateur externe et à l'aspirateur	Reportez-vous au manuel d'instructions afin de connectez correctement les accessoires de charge.
	L'adaptateur externe n'est plus en état de marche	Contactez votre concessionnaire pour le remplacer. AVERTISSEMENT ! L'utilisation d'un adaptateur externe incorrect donnera pour résultat l'endommagement de l'aspirateur de piscine / batterie et annulera de ce fait la garantie.

Programmes environnementaux, Directive européenne DEEE

	<p>Veillez respecter les réglementations de l'Union européenne et aider à protéger l'environnement. Portez les équipements électriques qui ne fonctionnent pas à une installation désignée par votre municipalité qui recycle correctement les équipements électriques et électroniques. Ne les jetez pas dans des poubelles sans triage. Pour les articles contenant des batteries démontables, retirer les batteries avant d'éliminer le produit. (v1) 2002024</p>
	<p>© 2021 Kokido Development Ltd. 21007030 Tous droits réservés. Aucune partie de ce document ne peut être reproduite ou transmise sous quelque forme ou par quelque moyen que ce soit, électroniques, mécaniques, photocopies, enregistrement ou de toute autre façon, sans l'autorisation écrite préalable de Kokido Development Ltd. (V1)</p>

Si vous avez besoin d'une copie sur papier de ce manuel d'instructions, veuillez contacter notre service clientèle par email : customerservice@kokido.com

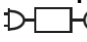
CONSERVEZ CES INSTRUCTIONS

AVISOS E INSTRUCCIONES DE SEGURIDAD

La información contenida en este Manual de instrucciones le ayudará a operar el artículo de manera segura, protegerse a sí mismo y a los demás de peligros, y evitar daños el artículo y otras propiedades.

GUARDE ESTAS INSTRUCCIONES

¡ATENCIÓN!

- Este dispositivo no es un JUGUETE. Mantenga a los niños lejos de esta aspiradora de piscina y de sus accesorios.
- Los niños no deben usar este producto.
- Este aparato no está diseñado para ser utilizado por personas con capacidades físicas, sensoriales o mentales disminuidas o alta de experiencia y conocimiento, a menos que estén bajo supervisión o hayan recibido instrucciones para el uso del dispositivo por parte de una persona responsable de su seguridad y entiendan los peligros que entraña.
- Los niños no deben jugar con este producto.
- La limpieza y el mantenimiento del aspiradora de piscina no deben ser realizados por niños.
- Asegúrese de que la aspiradora de piscina esté completamente sumergida en el agua antes de ponerla en funcionamiento. Como mínimo, el agua debe cubrir por completo la aspiradora de piscina para poderla poner en marcha. Si la pone en funcionamiento sin estar correctamente sumergida podría deteriorar la unidad, lo que comportaría una invalidación de la garantía.
- La profundidad máxima a la que se puede usar el dispositivo es de 3 metros.
- Temperatura máxima del agua: 5 °C–35 °C
-  Unidad de alimentación desmontable (adaptador externo).
- La aspiradora de piscina únicamente debe recargarse con el adaptador externo y el cable de carga suministrados con este producto.
- Para recargar la batería, utilice exclusivamente la unidad de fuente de alimentación extraíble (número de modelo de adaptador externo: DSS12D-0841000-B / DSS12D-0841000-C / DSS12D-0841000-D / LX084100U) provista con la aspiradora de piscina.
- Conecte el adaptador externo a una fuente de alimentación mediante un interruptor diferencial (ID) (también conocido como RCD) / un interruptor de circuito por defecto a tierra (GFCI, por sus siglas en inglés). En caso de duda, consulte a un electricista profesional cualificado.
- No use esta aspiradora de piscina si detecta cualquier daño.
- Cambie las piezas dañadas con piezas certificadas por el distribuidor o el fabricante
- Desactive el dispositivo, desconecte el adaptador externo de la fuente de alimentación y desenchufe el adaptador externo de la cable de carga antes de retirar la aspiradora de piscina de la cable de carga.

- Desconecte la aspiradora de piscina de la corriente general y asegúrese de que esté apagada antes de realizar las tareas de mantenimiento habituales, como limpiar el filtro.
 - NO intente cambiar la batería recargable de iones de litio preinstalada.
 - NO manipule el aspiradora de piscina el adaptador externo y el cable de carga mientras se tenga extremidades húmedas y sin zapatos.
 - No debe usar esta aspiradora de piscina si hay personas/mascotas en el agua.
 - NO use esta aspiradora de piscina sin un bolsa filtrante intacto instalados, ya que de lo contrario la garantía quedará anulada.
 - Peligro de atrapamiento por succión: Esta aspiradora de piscina genera succión. No permita que su pelo, cuerpo o prendas sueltas entren en contacto con el orificio de succión de la aspiradora de piscina cuando esté en funcionamiento.
 - No introduzca nunca partes del cuerpo, ropa u otros objetos en las aberturas y piezas móviles de la aspiradora de piscina.
 - NO use este aspiradora de piscina para recoger sustancias líquidas tóxicas, inflamables o combustibles (como gasolina), ni en presencia de vapores explosivos o inflamables.
 - No intente, bajo ninguna circunstancia, desmontar la aspiradora de piscina y sustituir el propulsor, el motor y la batería por sí mismo.
 - Nunca debe introducir los dedos ni ningún objeto para tocar el propulsor.
 - La extracción de la batería incorporada para su eliminación debe realizarla un técnico especializado.
 - Este aspiradora de piscina incluye una batería que solo puede ser desmontada por personal formado.
 - Debe desconectar el aspiradora de piscina de la alimentación eléctrica al retirar la batería.
 - Para obtener más detalles sobre la eliminación de la batería, consulte la sección "ELIMINACIÓN DE LA BATERÍA" de este manual y póngase en contacto con las autoridades locales para obtener más información.
 - La batería debe desecharse de manera segura y de acuerdo con las ordenanzas o regulaciones.
-
- Adaptador externo y cable de carga:
 - Sólo debe usar el adaptador externo y la cable de carga para recargar la batería de la aspiradora de piscina suministrada en el mismo paquete.
 - El adaptador externo y el cable de carga no deben usarse en el exterior, ni deben exponerse a la lluvia, la humedad, líquidos o fuentes de calor.
 - El transformador (o adaptador externo) debe estar situado fuera de la zona 1
 - Mantenga el adaptador externo y la cable de carga fuera del alcance de los niños.
 - Nunca debe usar el adaptador externo ni la cable de carga si detecta cualquier daño.

- NO coja el adaptador externo ni la cable de carga con las manos mojadas.
- Mantenga el adaptador externo desconectado de la corriente eléctrica cuando no lo esté usando.
- No intente abrir el adaptador externo ni la cable de carga.
- Si el cable de alimentación del adaptador externo está dañado, el fabricante o su proveedor de servicios debe reemplazar el adaptador externo para prevenir cualquier posible riesgo.
- Asegúrese de que la aspiradora de piscina y la cable de carga están completamente secas antes de iniciar la recarga.

¡PRECAUCIÓN!

- Esta aspiradora de piscina sólo está diseñada para ser usada bajo el agua; no es una aspiradora de uso general. NO intente usarla para limpiar una superficie que no sea su piscina.
- Sólo debe usar accesorios originales provistos junto con este producto.
- NO use esta aspiradora de piscina justo después de aplicar el tratamiento de choque a la piscina. Se recomienda dejar circular el agua de la piscina durante al menos 24-48 horas.
- Si tiene una piscina de agua salada, asegúrese de que toda la sal esté disuelta antes de introducir el aspiradora de piscina en el agua.
- NO use este aspiradora de piscina al mismo tiempo que otra aspiradora / aspiradora eléctrica
- Evite recoger objetos duros y afilados con este dispositivo. Podrían dañar la aspiradora de piscina y el filtro.
- Para evitar daños en el adaptador externo y el cable de carga, no transporte el aspiradora de piscina por cable del adaptador externo /cable de carga y no tire del cable desconectar de la fuente de alimentación.
- Cargue la aspiradora de piscina en un espacio interior, en una zona seca y limpia con buena ventilación y protegida de la luz solar.
- NO deje la aspiradora de piscina cargando durante más de 10 horas.
- Si no va a usar la aspiradora de piscina durante un periodo de tiempo prolongado, sepárela de la cable de carga y use un paño húmedo para limpiar y secar la con sus accesorios. Asegúrese de cargar el limpiafondos entre el 30 % y el 50 % de la capacidad de su batería antes de guardarlo. Guárdela en una zona bien ventilada y libre de luz solar, calor, fuentes de ignición y productos químicos para piscina, fuera del alcance de los niños. No deje nunca la aspiradora de piscina conectada si va a guardarla durante un periodo de tiempo prolongado. Recargue la aspiradora de piscina cada tres meses.
- Todas las acciones que comporten desmontar la unidad principal (por ejemplo, la eliminación de la batería) debe llevarlas a cabo exclusivamente un técnico autorizado.

Los avisos y precauciones anteriores pueden no incluir todas posibles situaciones de riesgo y/o lesiones graves. Los propietarios de piscina/spa deben tener siempre mucho cuidado y sentido común al utilizar el producto.

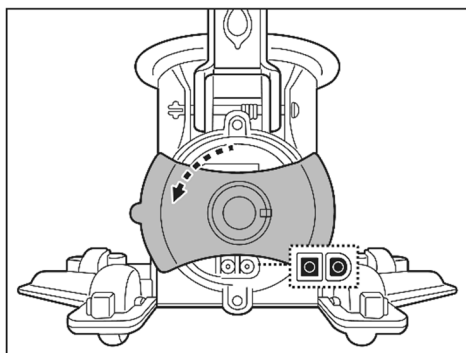
PRIMEROS PASOS

Cargando la batería

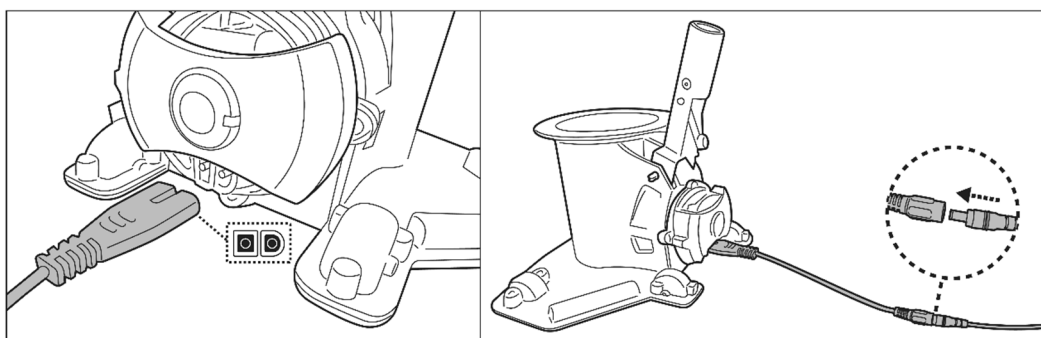
AVISO IMPORTANTE: Recargue completamente el aspiradora de piscina (unas 6 horas) antes de usarlo por primera vez.

¡ATENCIÓN!

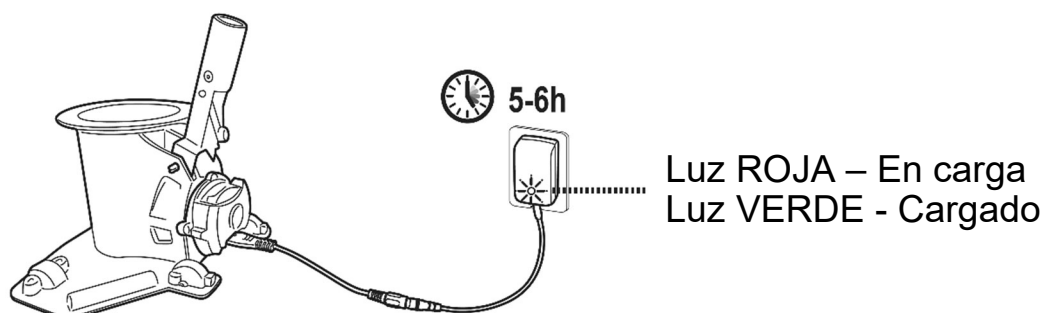
- MANTENGA LOS DEDOS ALEJADOS DE LA ABERTURA PARA EVITAR QUE EL PROPULSOR LE GOLPEE AL ESTAR ENCENDIDO.
 - Solo debe usar el adaptador externo y el cable de carga originales incluidos en el producto.
 - Asegúrese de que el aspiradora de piscina y el puerto de carga estén limpios y secos antes de cargar. (CONSEJO: use un bastoncillo de algodón para secarlo, así como los pines de carga)
 - Los pines de carga son impermeables. Sin embargo, el agua estancada en el puerto y alrededor de los pines podría causar manchas naturales (un subproducto de la reacción química entre el agua y las corrientes eléctricas). Las manchas se pueden eliminar frotando ligeramente con un bastoncillo de algodón humedecido con jugo de limón o vinagre.
1. Coloque la unidad sobre una superficie plana. Ajuste la aspiradora de piscina en la posición «Apagado/Modo de carga» girando el interruptor en sentido contrario a las agujas del reloj hasta que haga clic y el puerto de carga quede completamente a la vista.



2. Alinee e inserte el cable de carga en el puerto de carga. **ADVERTENCIA:** Asegúrese de no invertir el cable de carga y de que tanto el enchufe como el puerto estén limpios y secos antes de la carga. **CONSEJO:** Utilice un bastoncillo de algodón para secar el puerto de carga y las clavijas. Conecte el enchufe del cable del adaptador externo al puerto del cable de carga.



3. Enchufe el adaptador externo a una toma de corriente. El indicador luminoso del adaptador externo permanecerá en rojo mientras la aspiradora se esté cargando y pasará a verde una vez completada la carga. Cargue el aspirador durante 5-6 horas para optimizar su rendimiento.



- Desconecte inmediatamente el adaptador externo de la fuente de alimentación si detecta cualquiera de las siguientes condiciones:
 - Olor extraño o inusual
 - Calor excesivo
 - Deformación, grietas o fugas
 - Humo

4. Una vez completada la carga, desconecte el adaptador externo de la toma de corriente y desenchufe el cable de carga del la unidad principal.

ADVERTENCIA: No deje nunca el cable de carga puesto mientras la aspiradora de piscina está en el agua.

Normalmente, la aspiradora de piscina está diseñada para funcionar un máximo de 75 minutos con una carga completa.

NOTA: Limpie el bolsa filtrante regularmente. El exceso de suciedad en el bolsa filtrante aumenta el trabajo del motor y, como consecuencia, disminuye el tiempo de funcionamiento.

HECHO: La batería recargable de iones de litio está clasificada como un producto consumible. Tiene una vida útil limitada y perderá gradualmente su capacidad de retener la carga. Así pues, el tiempo de funcionamiento de la aspiradora de piscina se reducirá gradualmente a medida que se cargue y se descargue la aspiradora por su uso.

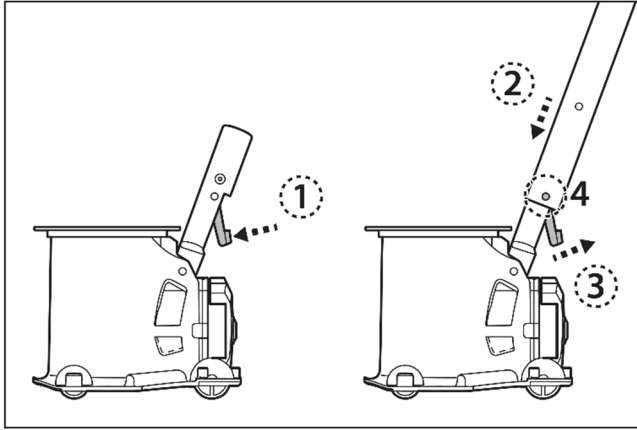
Cuando se agote la vida útil de la batería, consulte en el apartado «ELIMINACIÓN DE LA BATERÍA» las instrucciones para eliminar la batería.

NOTA: Deje reposar la aspiradora de piscina durante unos 30 o 40 minutos antes de volverla a cargar.

Configuración antes de uso

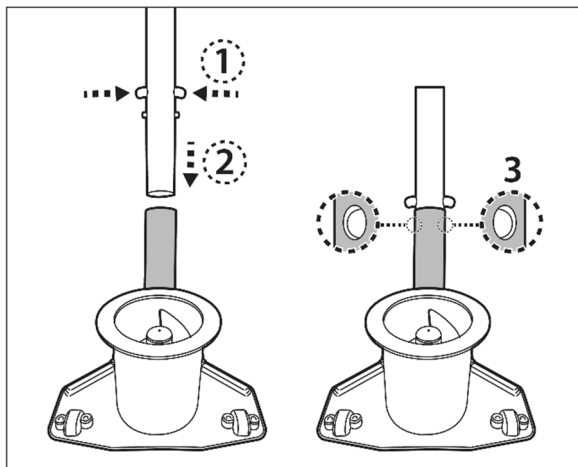
Montaje del pértiga telescópico (no suministrado) (solo para USA/EU)

Presione la horquilla en V del conector de la pértiga para retirar las clavijas laterales. Deslice la pértiga telescópica dentro del conector hasta que quede encajada en su sitio por las clavijas laterales y los agujeros, y suelte la horquilla en V.

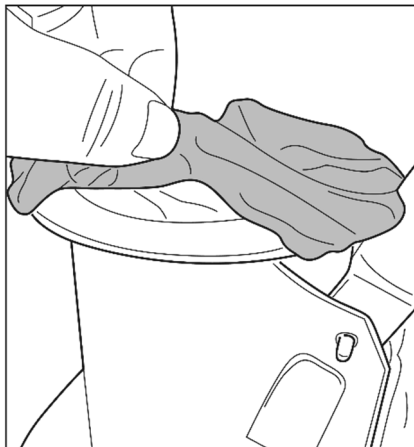


Montaje del pértiga telescópica específico (no suministrado) (solo para Australia/Nueva Zelanda)

Presione la horquilla interna (preinstalada dentro de la pértiga telescópica) para retirar las clavijas laterales. Deslice la pértiga telescópica dentro del conector de la pértiga hasta que quede encajada en su sitio por las clavijas laterales y los agujeros.



Montaje del bolsas de filtro

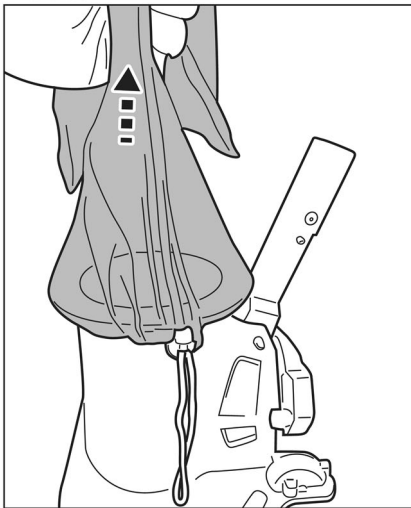


Cubra con la bolsa de filtro la apertura superior del cuerpo principal de la aspiradora de piscina. Asegúrese de que el cordón de la bolsa quede situado por debajo del reborde de la apertura superior



Manteniendo sujeto el cordón, apriete el cierre de muelle y y arrástrelo hasta que quede por debajo del reborde de la apertura superior.

CONSEJO: Para asegurar la bolsa del filtro, a la hora de llevar el cierre bajo el reborde, tire de un solo cordón, en lugar de tirar de ambos, tal como se muestra en la imagen.

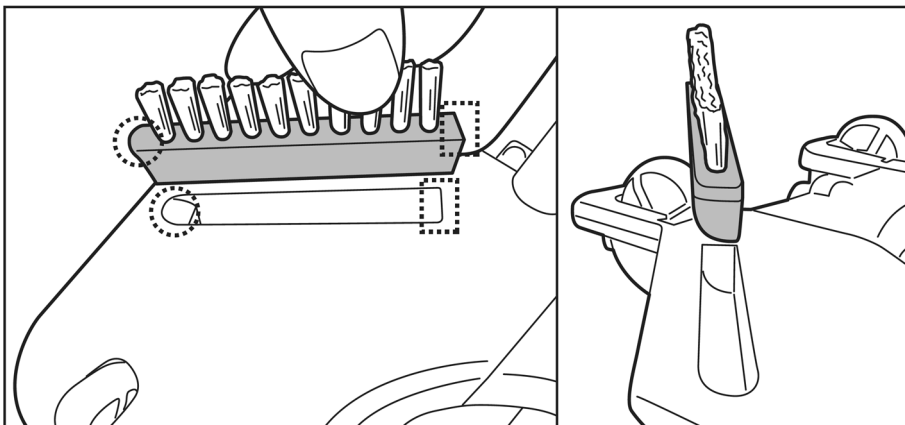


Levante la bolsa para asegurarse de que ha quedado bien asegurada antes de sumergir la aspiradora de piscina en el agua.

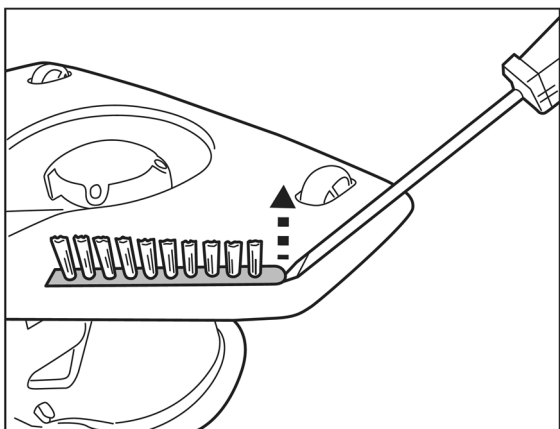
Montaje del cepillo

Alinee e inserte todos los cepillos en las muescas de la parte inferior de la aspiradora de piscina

NOTA: los 2 cepillos suministrados no son intercambiables. Seleccione el cepillo en función de la curvatura y la forma de la muesca. Asegúrese de encajar los cepillos correctamente.



Para extraer el cepillo, inserte la punta de un destornillador pequeño en la muesca de la esquina y levante el cepillo.



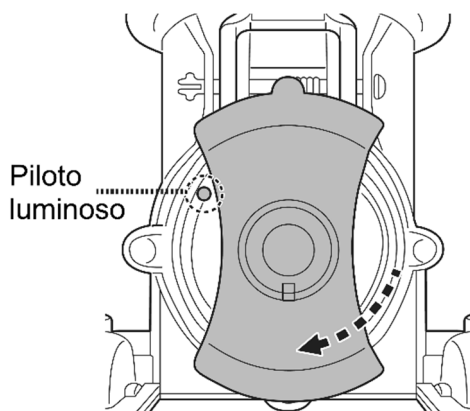
Preparación de la piscina

- Si el revestimiento está resquebrajado, dañado o arrugado, contacte con un profesional cualificado para que realice las reparaciones necesarias o sustituya el revestimiento antes de usar el aspiradora de piscina.
- Si tiene una piscina de agua salada, asegúrese de que toda la sal esté disuelta antes de introducir el aspiradora de piscina en el agua.

FUNCIONAMIENTO

¡ATENCIÓN! MANTENGA LOS DEDOS ALEJADOS DE LA ABERTURA PARA EVITAR QUE EL PROPULSOR LE GOLPEE AL ESTAR ENCENDIDO.

- 1) Sitúe la aspiradora de piscina en un lado de la piscina. Gire el interruptor en el sentido de las agujas del reloj hasta que llegue al tope y haga un clic, y se iluminará el indicador de encendido de la esquina superior. Sumerja la aspiradora dentro del agua. El indicador empezará a parpadear cuando le queden unas 10-15 minutos de funcionamiento.

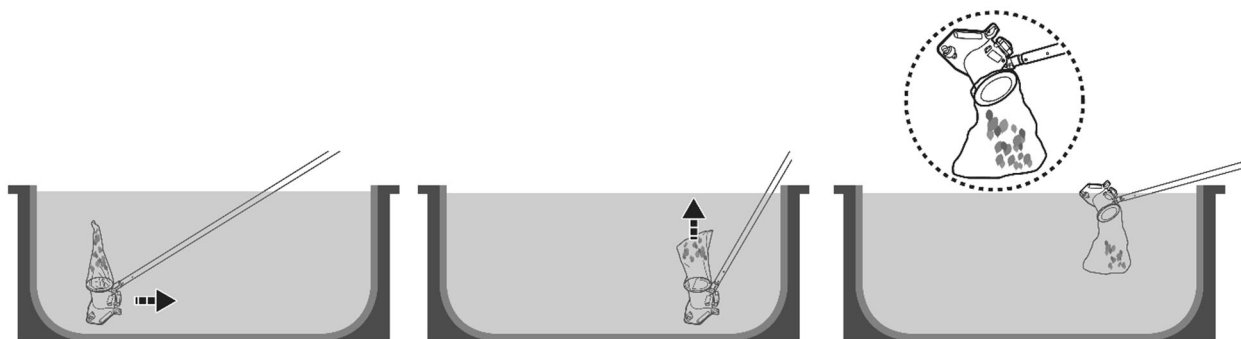


Color del piloto luminoso	
Verde	En funcionamiento
Rojo	Propulsor detenido (propulsor atascado).

Para limpiar toda la suciedad de manera efectiva, asegúrese de que la aspiradora quede plana en el fondo de la piscina y de conducirla de un lado para otro con un movimiento regular por encima de la suciedad acumulada. La aspiradora atrapa la suciedad tanto por la parte frontal como por la laterales y la posterior, hasta llenar la bolsa del filtro.

Si la piscina está excesivamente sucia, el propulsor podría atascarse, lo cual comportaría que automáticamente deje de proteger el motor; en tal caso, el piloto automático se iluminaría en rojo. De ser así, extraiga la aspiradora de la piscina y apáguela antes de desatascarla y de vaciar la bolsa del filtro, si está llena. Para volverla a poner en funcionamiento, gire el interruptor en el sentido contrario a las agujas del reloj, hasta la posición de OFF (apagado) y luego gírelo en el sentido de las agujas del reloj hasta la posición de ON (encendido).

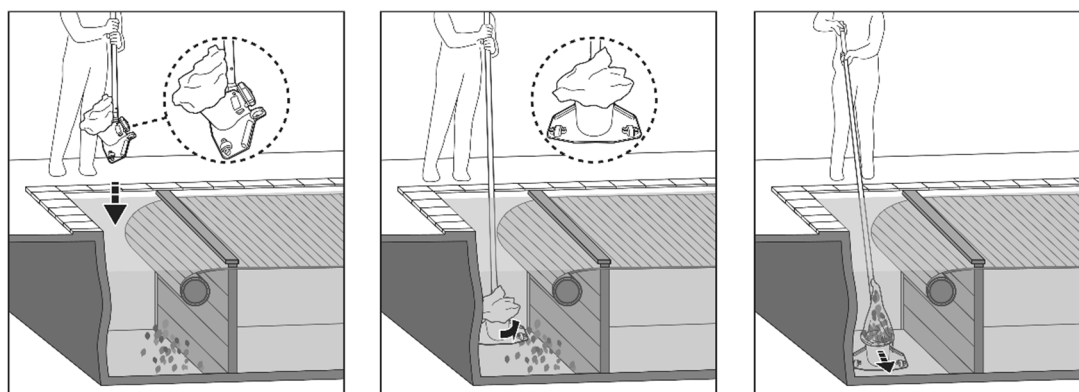
- 2) Para extraer la aspiradora, condúzcala hasta un lateral de la piscina y póngala bocabajo antes de levantarla. Esta operación tiene por fin evitar que la suciedad caiga de nuevo a la piscina, así como doblar la pértiga en el proceso.



- 3) Aclare la aspiradora de piscina con agua limpia después de cada uso. NO utilice detergentes agresivos.
- 4) Seque bien el puerto de carga y las clavijas. (CONSEJO: Utilice un bastoncillo de algodón para secarlos).

Aspire el compartimento sumergido de su cubierta de listones automática
ADVERTENCIA! Preste atención a todas las advertencias de seguridad en el manual para su cubierta de listones automática antes de esta operación de limpieza.

- La distancia mínima requerida para sumergir la aspiradora en el compartimento sumergido es de 24 cm (9.5 pulgadas)



- Retire la rejilla y desenrolle la cubierta de la piscina en acuerdo con las instrucciones del manual de la cubierta de la piscina.
- Coloque el pértiga telescópico / pértiga telescópica específico (no suministrado) e en la conector de la pértiga como se indica en el manual.
- Encienda la aspiradora, alinéela como se muestra en la imagen anterior antes de la inmersión.
- Una vez que la aspiradora llegue al fondo de la piscina, paralela a la longitud de la piscina como se indicó anteriormente, comience a aspirar el compartimento sumergido.

VACIADO DEL FILTRO

ADVERTENCIA: Asegúrese de que la aspiradora de piscina esté apagada antes de limpiar la bolsa del filtro.

Limpiar de forma regular la bolsa del filtro ayuda a mantener una buena succión y contacto entre la aspiradora y el suelo de la piscina durante su uso.

Coloque la aspiradora sobre una superficie plana. Presione el cierre de muelle para soltar la bolsa del cuerpo principal de la aspiradora. Se recomienda limpiar la bolsa del filtro con agua a presión después del ciclo de limpieza de la piscina. Para eliminar la suciedad incrustada o difícil de una bolsa de filtro obstruida, lave la bolsa del filtro en la lavadora a 30°C. Si considera necesario cepillarla, límpiela con delicadeza con un cepillo suave para evitar deteriorarla.

MANTENIMIENTO Y ALMACENAMIENTO

NOTA:

1. Asegúrese de limpiar y secar las áreas alrededor del puerto de carga y los sensores de agua después de cada uso para evitar manchas (un subproducto de una reacción química natural entre la corriente eléctrica y el agua). Las manchas se pueden quitar con un bastoncillo de algodón empapado en jugo de limón o vinagre.
2. La batería se descarga durante los periodos de almacenamiento. Asegúrese de cargar el aspiradora de piscina entre el 30 % y el 50 % de la capacidad de su batería antes de guardarlo.
3. Debe recargar la batería al menos una vez cada tres meses si no la va a usar.
 - Desenchufe el adaptador externo del enchufe y desconecte el conector adaptador de la aspiradora de piscina.
 - Separe los accesorios de la aspiradora de piscina. Si fuera necesario, enjuague la aspiradora de piscina y sus accesorios con agua limpia NO utilice detergentes abrasivos.
 - Asegúrese de secar la aspiradora de piscina antes de guardarla.
 - Use un paño húmedo para limpiar y secar la aspiradora de piscina y sus accesorios.
 - Guárdelos en una zona bien ventilada y libre de luz solar, calor, fuentes de ignición y productos químicos para piscina, fuera del alcance de los niños. La temperatura ambiente de almacenamiento debe ser de 10 °C - 25 °C. NOTA: Una temperatura de almacenamiento superior podría reducir la vida útil de la batería.

¡ATENCIÓN!

No intente, bajo ninguna circunstancia, desmontar la aspiradora de piscina y sustituir el propulsor, el motor y la batería por sí mismo.

¡PRECAUCIÓN!

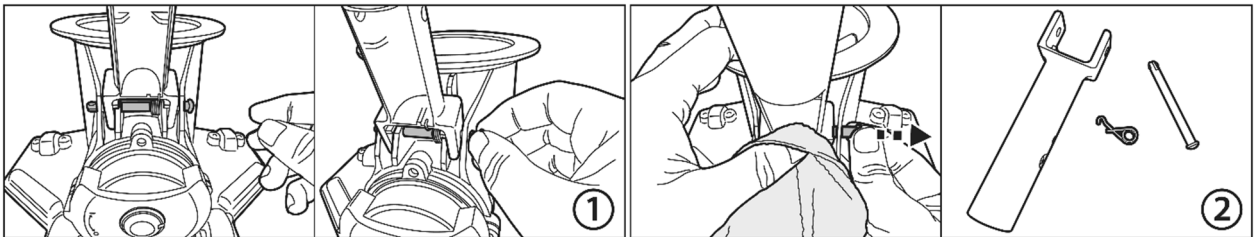
- El calor excesivo puede dañar la batería y reducir su vida útil.

Consulte con su distribuidor para la sustitución de la batería si ocurre lo siguiente:

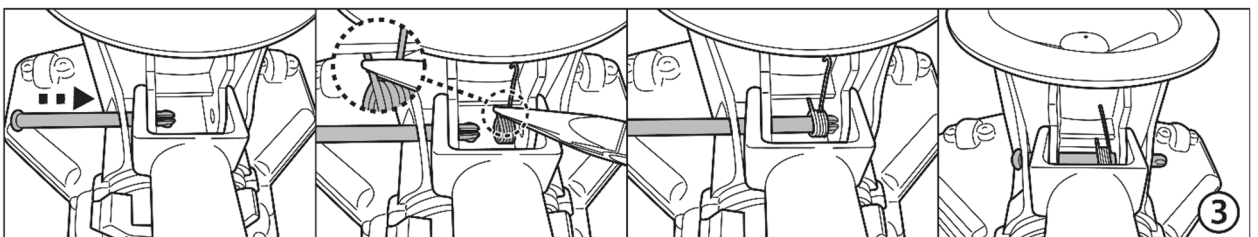
- La batería parece dañada o no se carga completamente.
 - El tiempo de funcionamiento de la batería se ha reducido considerablemente. Observe y anote el tiempo de funcionamiento durante los primeros usos (con una carga completa). Use esta información como referencia para comparar el tiempo de funcionamiento en el futuro.
- La batería debe sacarse de la aspiradora de piscina antes de ser desechada.
 - La batería debe desecharse de manera segura y de acuerdo con las ordenanzas o regulaciones locales.

NOTA: Un mantenimiento incorrecto puede reducir la vida útil de la batería y afectar a su capacidad.

Sustitución del conector de pértiga



1. Sujete el extremo redondo del pasador. Utilice unos alicates para retirarlo, si es necesario.
2. Prepare un trozo de tela para sostener el muelle de torsión, ya que este se saldrá al extraer el pasador.



3. Inserte el pasador por un lado y con la ayuda de unos alicates coloque el muelle tal como se muestra en las imágenes. Asegúrese de que el gancho queda arriba y que el otro extremo queda por debajo de la base. Alinee e inserte el pasador a través del muelle hasta llegar el agujero del otro lado.



4. Con ayuda de unos alicates, tire del gancho de la parte inferior del conector para fijarlo al conector, tal como se muestra en las imágenes. Desplace el muelle hacia la derecha.

ELIMINACIÓN DE LA BATERÍA (Debe hacerlo un técnico autorizado)

Su aspiradora de piscina está equipada con un paquete de baterías de iones de litio recargable que no requiere mantenimiento y que debe ser desechado correctamente. Su reciclaje es obligatorio; contacte con su autoridad local para obtener más información.

¡ATENCIÓN!

Nunca debe intentar desmontar un paquete de baterías.

- Retire todos los objetos personales, como anillos, pulseras, collares y relojes, cuando el paquete de baterías esté desconectado de la aspiradora de piscina.
- Una batería puede generar una corriente de cortocircuito lo suficientemente elevada como para soldar un anillo (u objeto similar) al metal, causando graves quemaduras.
- Al retirar el paquete de baterías debe llevar gafas protectoras, guantes y ropa protectora.
- Evite tocar los cables y que éstos entren en contacto con cualquier objeto metálico, lo cual podría causar chispas y/o un cortocircuito en la batería.
- No fume ni permita la presencia de chispas o llamas cerca de la batería ni de la aspiradora de piscina.
- No exponga la batería al fuego o a calor intenso, ya que se podría producir una explosión.

¡PRECAUCIÓN!

Si se produce una fuga, evite entrar en contacto con los líquidos y coloque la batería dañada en una bolsa de plástico.

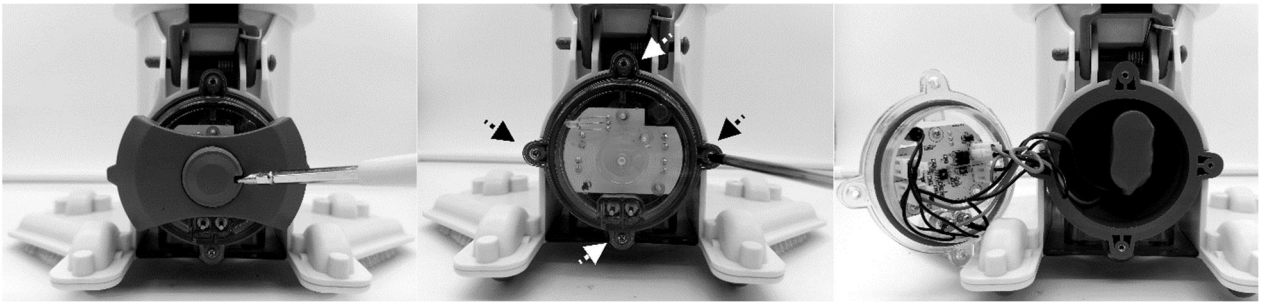
- Si los líquidos de la fuga entran en contacto con piel o ropa, lávese inmediatamente con mucha agua y jabón.
- Si los líquidos de la fuga entran en contacto con sus ojos, no los frote; láveselos inmediatamente con agua fresca durante un mínimo de 15 minutos sin frotar. Busque atención médica lo antes posible.

Cómo retirar el paquete de baterías solo para la eliminación de la batería (debe hacerlo un técnico autorizado)

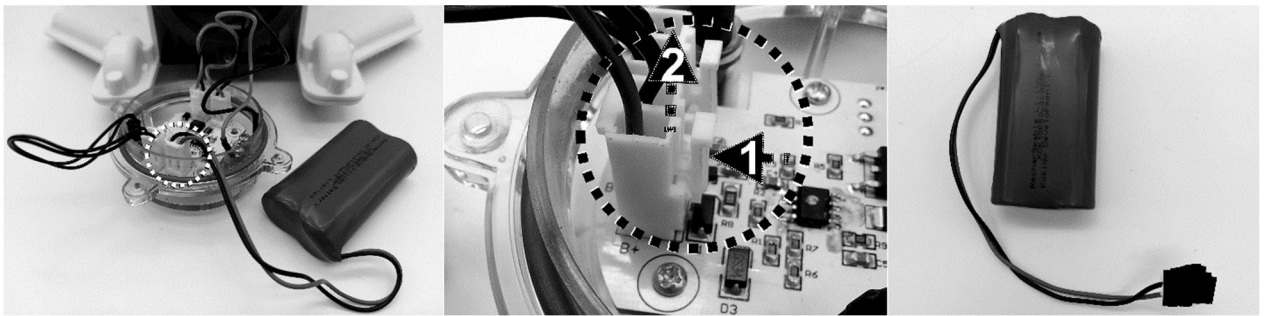
Herramientas recomendadas (no incluidas): destornillador.

ADVERTENCIA: La aspiradora de piscina debe estar desconectada de la corriente antes de extraer la batería.

1. Coloque la aspiradora de piscina sobre una superficie plana. Utilice un destornillador para abrir la tapa pequeña haciendo palanca y desatornille los 4 tornillos. Extraiga la batería del compartimento.





2. Extraiga la batería del compartimento y coloque el conector del cable de la batería. Para soltar el cable de conexión de la batería, presione el clip del conector y tire de él. NOTA: Envuelva el conector inmediatamente con cinta aislante para evitar que los terminales de ambos cables entren en contacto y se produzca un cortocircuito.



RESOLUCIÓN DE PROBLEMAS

Possible Cause	Solution	Possible Cause
La aspiradora no se pone en funcionamiento	Batería agotada	Cargue la aspiradora de piscina.
La aspiradora no atrapa la suciedad/ / Se filtra suciedad en la piscina	Poca batería	Cargue la aspiradora de piscina.
	Propulsor atascado	Extraiga la aspiradora de piscina del agua y gire el interruptor en sentido contrario a las agujas del reloj para apagarla. Compruebe si el propulsor está atascado por alguna partícula de suciedad de gran tamaño. En caso necesario, contacte con su proveedor para obtener las instrucciones oportunas. ADVERTENCIA: Asegúrese de que la aspiradora de piscina permanezca apagada hasta que se solucione el problema.
	Propulsor roto	Contacte con su proveedor para obtener un recambio.
	Bolsa del filtro llena/atascada	Limpie la bolsa del filtro.
Tiempo de carga superior al anunciado	Clavijas de carga manchadas	Limpie las manchas de los alrededores de las clavijas de carga con un bastoncillo de algodón impregnado en zumo de limón o vinagre.
La aspiradora no carga	Batería deteriorada	Contacte con su proveedor para obtener una batería de recambio. ADVERTENCIA: NO sustituya la batería usted, ya que podría sufrir graves lesiones y la garantía quedaría invalidada.
	El cable de carga no está correctamente conectado al adaptador externo y la aspiradora	Consulte el manual de instrucciones y conecte adecuadamente los accesorios de carga.
	El adaptador externo no funciona	Contacte con su proveedor para obtener un adaptador de recambio. ADVERTENCIA: Usar un adaptador externo incorrecto podría deteriorar la aspiradora de piscina o la batería e invalidar la garantía.

Programas medioambientales, Directiva Europea WEEE

	Respete las regulaciones de la Unión Europea y ayúdenos a proteger el medio ambiente. Devuelva los equipos eléctricos desechados al punto indicado por su municipio, en el que se recicle correctamente el equipo eléctrico y electrónico. No lo deposite en contenedores de basura sin separar. En el caso de objetos que incluyan pilas, sáquelas antes de depositar el producto.
	© 2021 Kokido Development Ltd. 21007030 Todos los derechos reservados. Queda prohibida la reproducción o transmisión parcial o total de este documento de ninguna forma y por ningún medio electrónico, mecánico, en fotocopia, grabación u otros, sin la autorización previa por escrito de Kokido Development, Ltd. (V1).

Si necesita una copia digital de este manual de instrucciones, contacte con nuestro servicio de Atención al Cliente por correo electrónico: customerservice@kokido.co

GUARDE ESTAS INSTRUCCIONES

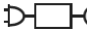
VEILIGHEIDSWAARSCHUWINGEN &

INSTRUCTIES

De informatie in deze Handleiding helpt u om het apparaat veilig te bedienen, om uzelf en anderen te beschermen tegen gevaren en om schade aan het apparaat en andere eigendommen te voorkomen.

BEWAAR DEZE INSTRUCTIES

WAARSCHUWING!

- Dit is **GEEN SPEELGOED**. Kinderen moeten buiten bereik van de zwembadstofzuiger en de accessoires worden gehouden.
- Laat kinderen dit product nooit bedienen.
- Dit apparaat is niet bedoeld voor gebruik door personen met verminderde fysieke, zintuiglijke of mentale capaciteiten, of een gebrek aan ervaring en kennis, tenzij zij onder toezicht staan of instructies hebben gekregen over het gebruik van het apparaat door een persoon die verantwoordelijk is voor hun veiligheid en zij de daarmee gepaard gaande risico's begrijpen.
- Kinderen mogen niet met dit zwembadstofzuiger spelen.
- Reiniging en gebruikersonderhoud mogen niet door kinderen worden uitgevoerd.
- Zorg ervoor dat de zwembadstofzuiger volledig in water is ondergedompeld voordat u de werking start. Het minimale waterniveau dat vereist is om de zwembadstofzuiger te laten werken, moet de gehele zwembadstofzuiger bedekken. Als u de zwembadstofzuiger gebruikt wanneer deze niet correct in het water is ondergedompeld, kan dit het apparaat beschadigen en de garantie ongeldig maken.
- De maximale werkdiepte in water is 3 meter.
- Bedrijfstemperatuur water: 5°C – 35°C.
-  Afneembare voedingseenheid (externe adapter).
- De zwembadstofzuiger mag alleen worden opgeladen met de externe adapter en laadkabel die bij dit product worden geleverd.
- Gebruik voor het opladen van de batterij alleen de afneembare voedingseenheid (modelnummer van de externe adapter: DSS12D-0841000-B / DSS12D-0841000-C / DSS12D-0841000-D/ LX084100U) die bij deze zwembadstofzuiger is geleverd om de batterij op te laden.
- Sluit de externe adapter aan op een stroombron via een aardlekschakelaar (RCD) / een verliesstroomschakelaar (GFCI). Raadpleeg een professionele elektricien als u vragen hebt.
- Gebruik deze zwembadstofzuiger niet als er schade wordt vastgesteld.
- Vervang beschadigde onderdelen door onderdelen die door de distributeur of fabrikant zijn gecertificeerd.
- Schakel de stroom uit, trek de stekker van de externe adapter uit het

- stopcontact en haal de stekker van de externe adapter uit de laadkabel voordat u de zwembadstofzuiger uit de laadkabel haalt.
- Koppel de zwembadstofzuiger los van het elektriciteitsnet en zorg ervoor dat de zwembadstofzuiger is uitgeschakeld voordat u onderhoud uitvoert, zoals het reinigen van de filterzak.
 - Probeer in geen geval de geïnstalleerde oplaadbare Li-ion-batterij te vervangen.
 - Raak de zwembadstofzuiger, de externe adapter en de laadkabel NIET aan met natte ledematen en zonder schoenen, terwijl deze wordt opgeladen.
 - Gebruik deze zwembadstofzuiger niet wanneer er mensen/huisdieren in het water aanwezig zijn.
 - Gebruik deze zwembadstofzuiger NIET zonder een intacte filterzak, anders vervalt de garantie.
 - Beknellingsgevaar door zuigkracht: deze zwembadstofzuiger genereert afzuiging. Zorg ervoor dat haar, lichaam en losse delen van uw kleding niet in contact komen met het zuigpunt van de zwembadstofzuiger tijdens de werking.
 - Steek nooit lichaamsdelen, kleding en andere voorwerpen in de openingen en bewegende delen van de zwembadstofzuiger.
 - Gebruik deze zwembadstofzuiger NIET om giftige stoffen, ontvlambare en brandbare vloeistoffen (d.w.z. benzine) op te zuigen in de aanwezigheid van explosieve of ontvlambare dampen.
 - Probeer in geen geval zelf de zwembadstofzuiger te demonteren en de waaier, motor en batterij zelf te vervangen.
 - Steek nooit vingers en voorwerpen in de stofzuiger om de waaier te raken.
 - De ingebouwde batterij moet door een ervaren technicus worden verwijderd voordat deze wordt afgedankt.
 - Deze zwembadstofzuiger bevat een batterij die enkel mag worden verwijderd door vakkundig personeel.
 - De zwembadstofzuiger moet van het stroomnet worden losgekoppeld wanneer de batterij verwijderd wordt.
 - Voor meer informatie over het recyclen/verwijderen van batterijen raadpleegt u het hoofdstuk " DE BATTERIJ WEGWERPEN" in deze handleiding en neemt u contact op met uw lokale autoriteiten voor meer informatie.
 - De batterij moet veilig worden weggegooid in overeenstemming met de plaatselijke verordeningen of voorschriften.
 - Externe adapter en laadkabel:
 - Gebruik de externe adapter en laadkabel nooit voor iets anders dan het opladen van de batterij van de zwembadstofzuiger die in hetzelfde pakket wordt meegeleverd.
 - De externe adapter en oplaadkabel mogen niet buitenshuis worden gebruikt en mogen ook niet worden blootgesteld aan regen, vocht, vloeistoffen of hitte.
 - De transformator (of externe adapter) moet zich buiten zone 1 bevinden.

- Houd de externe adapter en oplaadkabel buiten bereik van kinderen.
- Gebruik nooit de externe adapter en laadkabel als er schade wordt gedetecteerd.
- Raak de externe adapter en de oplaadkabel NIET met natte handen aan.
- Steek de externe adapter niet in een oplaadkabel wanneer deze niet in gebruik is.
- Probeer nooit om de externe adapter of de lader te openen.
- Als de voedingskabel van de externe adapter beschadigd is, moet de externe adapter door de fabrikant of zijn servicemedewerker worden vervangen om gevaren van welke aard dan ook te voorkomen.
- De zwembadstofzuiger en de laadkabel moeten volledig droog zijn voor u de zuiger herlaadt.

OPGEPAST!

- Deze zwembadstofzuiger is alleen bedoeld voor gebruik onder water; het is geen alleszuiger. Probeer de stofzuiger NIET te gebruiken om iets anders dan uw zwembad schoon te maken.
- Gebruik alleen originele accessoires die bij dit product zijn geleverd.
- Gebruik deze zwembadstofzuiger NIET direct na het toepassen van chloorshock. Het wordt aanbevolen om het zwembad eerst minimaal 24-48 uur te laten circuleren.
- Als u van plan bent om de zwembadstofzuiger in een zoutwaterzwembad te gebruiken, zorg er dan voor dat al het zout is opgelost voordat u het in het water plaatst.
- Het is niet raadzaam deze zwembadstofzuiger tegelijkertijd te gebruiken met een andere automatische reiniger/reiniger.
- Pak geen harde, scherpe voorwerpen op met dit product, omdat deze de zwembadstofzuiger en de filter kunnen beschadigen.
- Om schade aan de externe adapter en de laadkabel te voorkomen, mag u de zwembadstofzuiger niet dragen via de kabel van de externe adapter of mag u niet aan de kabel trekken in de hoop de externe adapter los te koppelen van de stroombron.
- Laad de zwembadstofzuiger binnenshuis in een schone, droge ruimte met goede ventilatie en uit de buurt van zonlicht.
- Laat de zwembadstofzuiger NIET langer dan 10 uur opladen.
- Als de zwembadstofzuiger gedurende langere tijd niet wordt gebruikt, maak hem dan van de laadkabel los en gebruik een vochtige doek om de zwembadstofzuiger en de accessoires schoon te maken en te drogen. Zorg ervoor dat u de zwembadstofzuiger oplaadt tot ongeveer 30% tot 50% van de batterijcapaciteit voordat die wordt opgeslagen. Bewaar in een goed geventileerde ruimte, uit de buurt van zonlicht, hitte, ontstekingsbronnen, chemicaliën in het zwembad en kinderen. Laad de zwembadstofzuiger om de drie maanden op.
- Alle acties met betrekking tot het demonteren van de hoofdeenheid (d.w.z. batterijverwijdering) kunnen alleen worden uitgevoerd door een geautoriseerde technicus.

Bovenstaande waarschuwingen en aandachtspunten zijn niet bedoeld om alle mogelijke gevallen van risico's en/of ernstig letsel op te nemen. Eigenaren van zwembaden/spa's moeten altijd extra voorzichtig zijn en gezond verstand gebruiken bij het gebruik van het product.

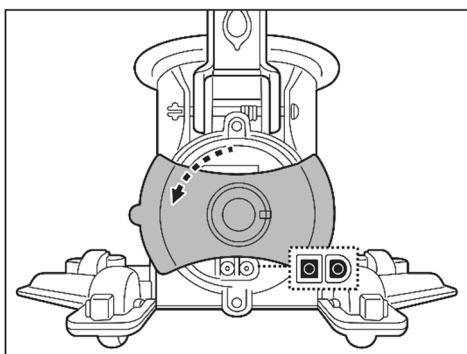
VAN START GAAN

Batterij opladen

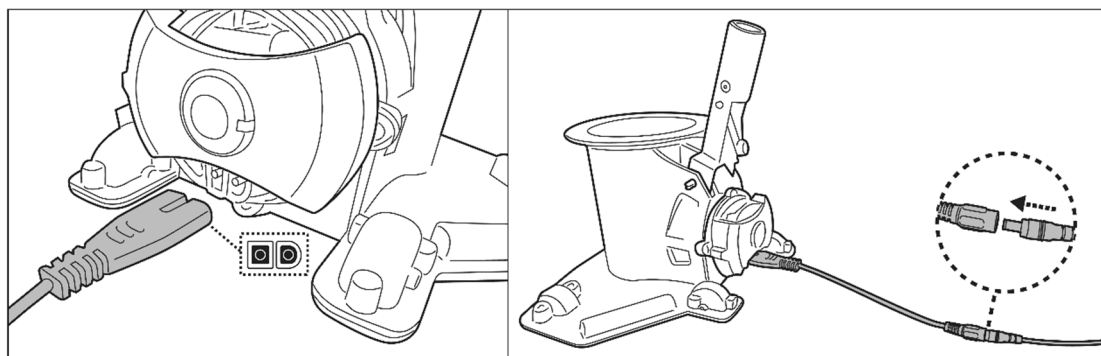
BELANGRIJKE OPMERKING: laad de zwembadstofzuiger volledig op (ongeveer 6 uur) voordat u het voor de eerste keer gebruikt.

WAARSCHUWING!

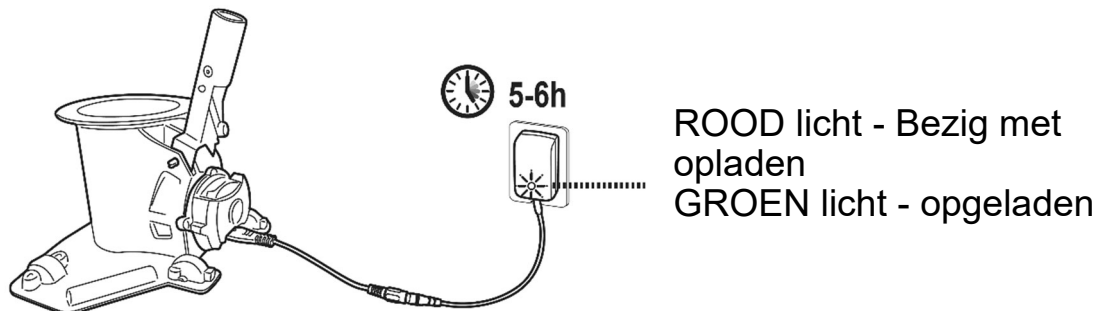
- HOUD UW VINGERS UIT DE BUURT VAN DE OPENING OM TE VOORKOMEN DAT U GERAAKT WORDT DOOR DE WAAIER WANNEER DEZE AAN STAAT.
 - Gebruik alleen de originele externe adapter en meegeleverde laadkabel.
 - Zorg ervoor dat de zwembadstofzuiger en de laadpoort schoon en droog zijn voordat u de zwembadstofzuiger installeert en oplaadt. (TIPS: gebruik een wattenstaafje om de laadpoort en de laadpennen te drogen.)
 - De laadpennen zijn waterdicht. Waterresten in de poort en rond de pennen kunnen echter leiden tot het natuurlijk voorkomen van vlekken (een bijproduct van een chemische reactie tussen water en elektrische stromen). Anders kunnen de vlekken worden verwijderd door licht te schrobben met een wattenstaafje dat in citroensap of azijn is gedrenkt.
1. Plaats het apparaat op een vlakke ondergrond. Stel de zwembadstofzuiger in op Uitschakelen/Opladen door de schakelknop linksom te draaien totdat deze klikt en de oplaadpoort volledig zichtbaar is.



2. Lijn de oplaadkabel uit en sluit deze aan op de oplaadpoort. **WAARSCHUWING!** Zorg ervoor dat u de laadkabel niet omkeert en zorg ervoor dat zowel de laadkabel als de oplaadpoort schoon en droog zijn voordat u ze oplaadt. TIPS: Gebruik een wattenstaafje om de oplaadpoort en punten te drogen. Sluit de kabelstekker van de externe adapter aan op de poort van de laadkabel.



3. Sluit de externe adapter aan op de stroombron. Het indicatielampje op de externe adapter wordt rood als de stofzuiger wordt opgeladen en groen als die volledig is opgeladen. Laad hem gedurende 5-6 uur op voor de beste prestaties.



- Koppel de externe adapter onmiddellijk los van de stroombron als u een van de volgende dingen ontdekt:
 - Aanstootgevende of ongebruikelijke geur
 - Extreme hitte
 - Vervorming, scheuren, lekken
 - Rook
4. Wanneer het opladen is voltooid, koppelt u de externe adapter los van de stroombron en haalt u de laadkabel uit het hoofdapparaat. **WAARSCHUWING!** Laat de laadkabel nooit in de stofzuiger terwijl die in het water is.

Normaal gesproken is de zwembadstofzuiger ontworpen om maximaal 75 minuten op een volledige lading te werken.

Opmerking: leeg de filterzak regelmatig. Overmatig vuil verhoogt de belasting van de motor en kan de bedrijfstijd verkorten.

OPMERKING: de oplaadbare lithium-ionbatterij is geclassificeerd als verbruiksartikel. Het heeft een beperkte levensduur en verliest geleidelijk zijn capaciteit om een lading vast te houden. Daarom zal de looptijd van de zwembadstofzuiger geleidelijk verminderen na herhaald laden en ontladen gedurende de hele levensduur van het product.

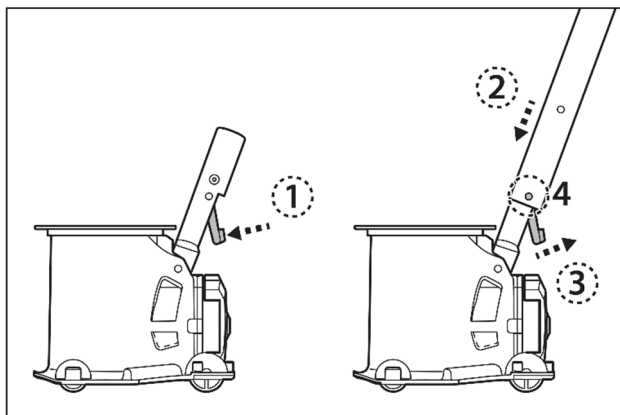
Zodra de levensduur van de batterij ten einde is, raadpleegt u de paragraaf "VERWIJDERING VAN DE BATTERIJ" voor instructies over het weggooien van de batterij.

OPMERKING: Laat de zwembadstofzuiger ongeveer 30 tot 40 minuten rusten voordat u die opnieuw oplaadt.

Instellen voor gebruik

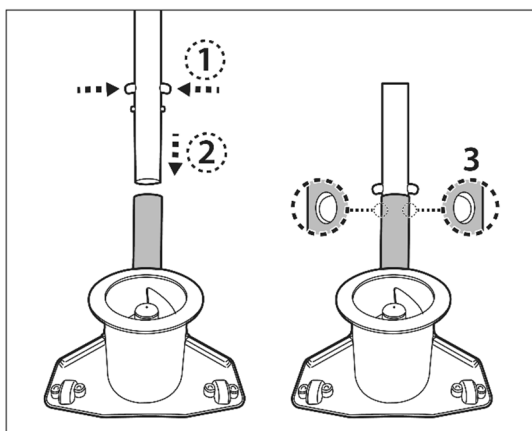
Montage van telescopische paal (niet meegeleverd) (alleen voor USA / EU-landen)

Druk op de V-clip op het koppelstuk van de paal om de zijpinnen in te trekken. Schuif de telescopische paal in het koppelstuk totdat deze is vergrendeld door de pinnen en gaten aan de zijkant en laat de V-clip los.

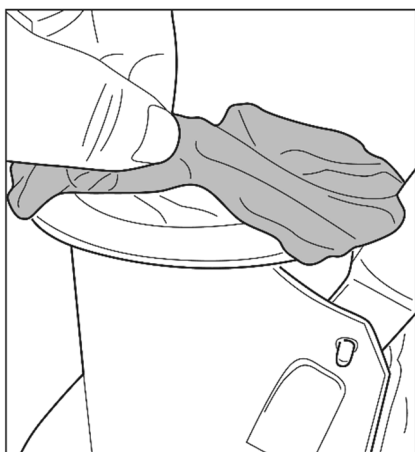


Montage van specifiek telescopische paal (niet meegeleverd) (alleen voor Australië / Nieuw-Zeeland)

Druk op de interne draagarmklem (voorgeïnstalleerd in de specifieke telescopische paal) om de zijpinnen in te trekken. Schuif de specifieke telescopische paal in het specifieke koppelstuk van de paal totdat deze door de pinnen en gaten aan de zijkant wordt vergrendeld.



Montage van filterzak

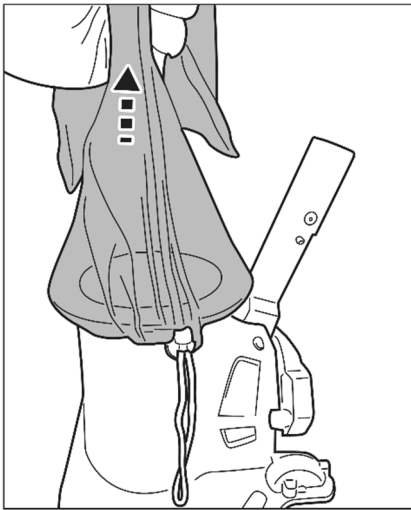


Spread the filter bag over the top opening of the main housing of the swimming pool vacuum cleaner. Make sure that the cord of the bag is under the flange of the top opening.



Houd het snoer vast, druk op het snoer en duw het onder de flens.

TIPS: Om de filterzak vast te zetten, trekt u, wanneer u de koordbevestiging onder de flens duwt, aan één koord in plaats van twee koorden, zoals aangegeven in het diagram.

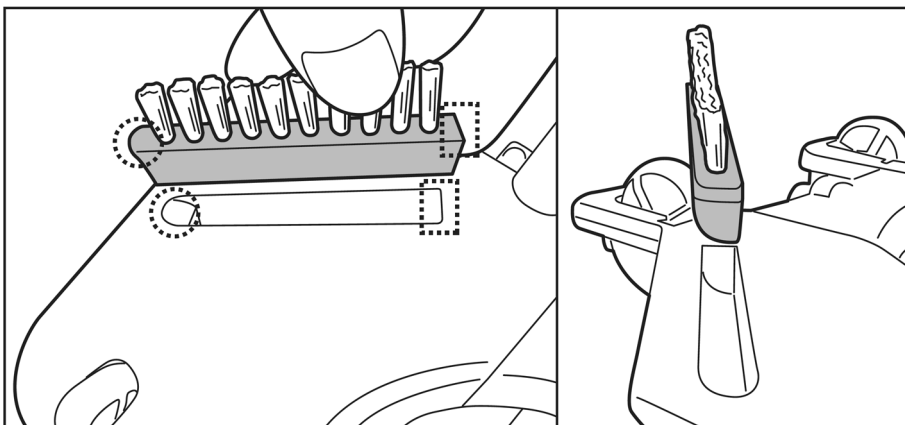


Til de zak op om ervoor te zorgen dat deze volledig is beveiligd voordat u de zwembadstofzuiger in water plaatst.

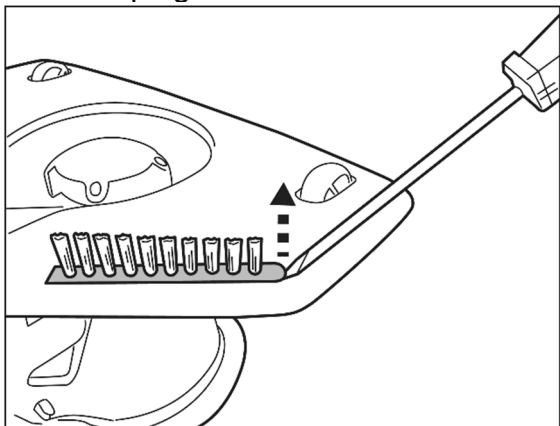
Montage van borstel

Lijn alle borstels uit en plaats ze in de inkepingen aan de onderzijde van de zwembadstofzuiger

OPMERKING: de 2 meegeleverde borstels zijn onderling niet verwisselbaar. Kies de borstel in functie van de kromming en de vorm van de inkeping. Zorg ervoor dat de borstels goed gemonteerd zijn.



Om de borstel los te maken, steekt u de punt van een kleine schroevendraaier in de hoekinkeping en wrikt u de borstel omhoog.



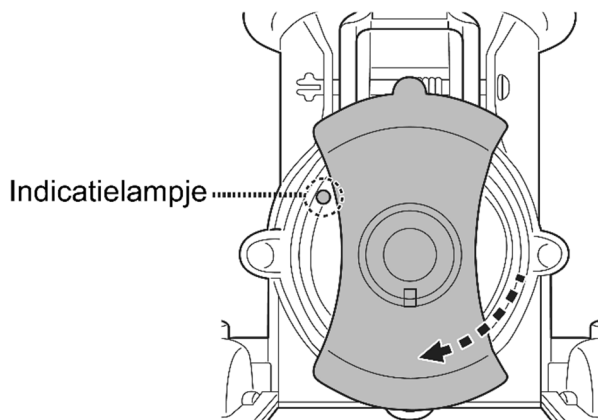
Vorbereiding zwembad

- Als de liner broos, beschadigd of gerimpeld is, neem dan contact op met een gekwalificeerde professional om de nodige reparaties uit te voeren of de liner te vervangen voordat u de zwembadstofzuiger gebruikt.
- Als u een zoutwaterzwembad gebruikt, zorg er dan voor dat al het zout is opgelost voordat u de zwembadstofzuiger in het water plaatst.

GEBRUIK

WAARSCHUWING! HOUD UW VINGERS UIT DE BUURT VAN DE OPENING OM TE VOORKOMEN DAT U GERAAKT WORDT DOOR DE WAAIER WANNEER DEZE AAN STAAT

- 1) Breng uw zwembadstofzuiger naar de zijkant van uw zwembad. Draai de schakelknop met de klok mee tot hij stopt en vastklikt, en de stroomindicatielampje in de bovenhoek gaat branden. Dompel de zwembadstofzuiger onder in water. Het indicatielampje begint te knipperen wanneer nog ongeveer 10-15 minuten werktijd over is.

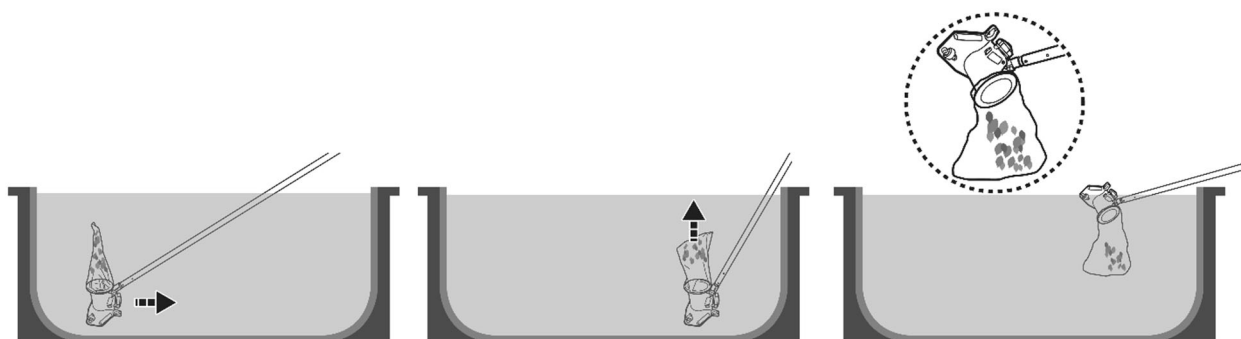


Indicatielampje	
Groen	In bedrijf
Rood	Waaier stopt (waaier verstopt).

Om vuil effectief op te zuigen, moet u ervoor zorgen dat de zwembadstofzuiger plat op de vloer van het zwembad wordt gelegd terwijl u de stofzuiger in regelmatige beweging heen en weer over afvalresten stuurt om de resten op te vangen. Vuil wordt verzameld aan de voorkant, zij- en achterkant om de filterzak op te vullen.

Overmatig vuil en afval in het zwembad kunnen de waaier verstoppfen, die automatisch zou stoppen om de motor te beschermen en het indicatielampje zou rood worden. Verwijder de stofzuiger uit het zwembad en schakel de stofzuiger uit voordat u de filterzak ontstopt en leegmaakt als deze vol is. Om de werking te hervatten, draait u de schakelknop linksom totdat Uitschakelen is geselecteerd en draait u de knop vervolgens met de klok mee om Inschakelen te selecteren.

- 2) Om de zwembadstofzuiger te verwijderen, brengt u de stofzuiger naar het zwembad en draait u hem ondersteboven voordat u hem optilt. Dit wordt gedaan om te voorkomen dat puin zich terug in het zwembad verspreidt en om te voorkomen dat de paal daarbij wordt gebogen.

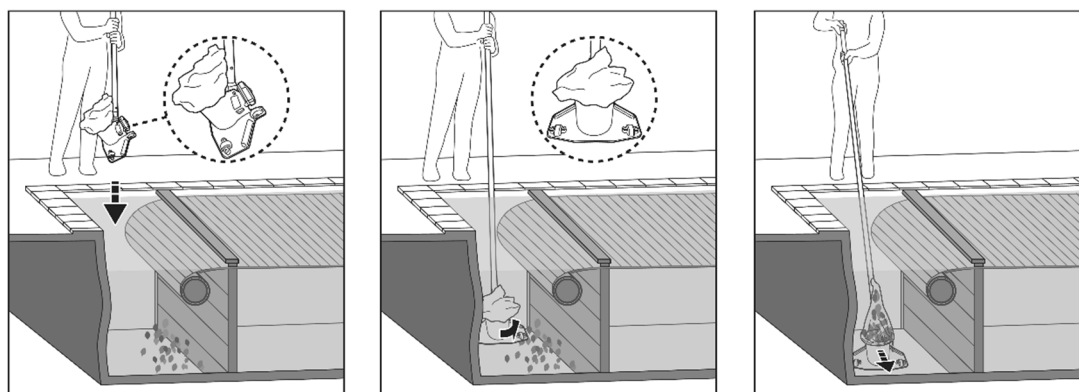


- 3) Spoel de zwembadstofzuiger na elk gebruik met zoet water. Gebruik GEEN agressieve schoonmaakmiddelen..
- 4) Droog de laadpoort en pinnen grondig (TIPS: gebruik wattenstaafje om ze te drogen)

Zuigen van het dieperliggende compartiment van een Automatische Lamellenafdekkingen

WAARSCHUWING! Houd op voorhand rekening met alle veiligheids waarschuwingen in de handleiding van uw automatische lamellenafdekking met betrekking tot deze reinigingshandeling.

- De minimale afstand die nodig is voor het onderdompelen van de zuiger in het dieperliggende compartiment is 24 cm (9.5in).



- Verwijder de vlonder en rol de lamellenafdekking van het zwembad af volgens de instructies in de handleiding van uw zwembadafdekking.
- Bevestig een telescopische paal / specifiek telescopische paal (niet meegeleverd) aan de koppelstuk van de paal zoals aangegeven in de handleiding.
- Schakel de zwembadstofzuiger in en lijn hem vervolgens uit zoals aangegeven in de bovenstaande afbeelding voordat u hem onderdompelt.
- Zodra de reiniger de zwembadbodem bereikt heeft, moet u deze evenwijdig met de zwembadlengte plaatsen, zoals hierboven aangegeven. U kunt nu beginnen met het zuigen van het verzonken compartiment.

FILTERZAK LEGEN

OPGEPAST! Zorg ervoor dat de zwembadstofzuiger UIT is voordat u de filterzak schoonmaakt.

Het regelmatig wassen van de filterzak draagt bij tot het behoud van een goede zuigkracht en een nauw contact tussen de bodemzuiger en de zwembadbodem tijdens de werking. Plaats de stofzuiger op een vlakke ondergrond. Druk op de koordsluiting om de zak van het hoofdgedeelte te halen. Het wordt aanbevolen om de filterzak na elke reinigingscyclus van het zwembad met een waterstraal te wassen. Om hardnekkig vuil of aanslag op een verstopt filter te verwijderen, wast u de filterzak in een wasmachine op 30°C watertemperatuur. Als borstelen noodzakelijk wordt geacht, gebruik dan alleen een zachte borstel om het voorzichtig schoon te maken om schade te voorkomen.

ONDERHOUD & OPSLAG

OPMERKING:

1. Zorg ervoor dat u de plaatsen rond de laadpoort en de watersensoren na elk gebruik reinigt en droogt om de vorming van vlekken te voorkomen (bijproduct van een natuurlijke chemische reactie tussen elektrische stroom en water). Anders kunnen de vlekken worden verwijderd door licht te schrobben met een in citroensap of azijn gedrenkt wattenstaafje.
2. De batterij zal ontladen tijdens de opslag. Laad de zwembadstofzuiger tot ongeveer 30% - 50% van de laadcapaciteit op voordat u hem opbergt.
3. Herlaad de batterij minstens om de drie maanden wanneer hij niet in gebruik is.
 - Trek de externe adapter uit het stopcontact en de laadkabel uit de zwembadstofzuiger.
 - Maak accessoires los van de zwembadstofzuiger. Spoel indien nodig het zwembadvacuüm en de accessoires met zoet water. Gebruik GEEN agressief schoonmaakmiddel.
 - Zorg ervoor dat u de zwembadstofzuiger droogt voordat u die opbergt.
 - Gebruik een vochtige doek om de zwembadstofzuiger en de accessoires te reinigen en te drogen.
 - Bewaar ze in een goed geventileerde ruimte, uit de buurt van zonlicht, hitte, ontstekingsbronnen, chemicaliën in het zwembad en van kinderen. De omgevingstemperatuur voor opslag moet 10°C - 25°C zijn. **OPMERKING:** Een hogere opslagtemperatuur kan de levensduur van de batterij verkorten.

WAARSCHUWING!

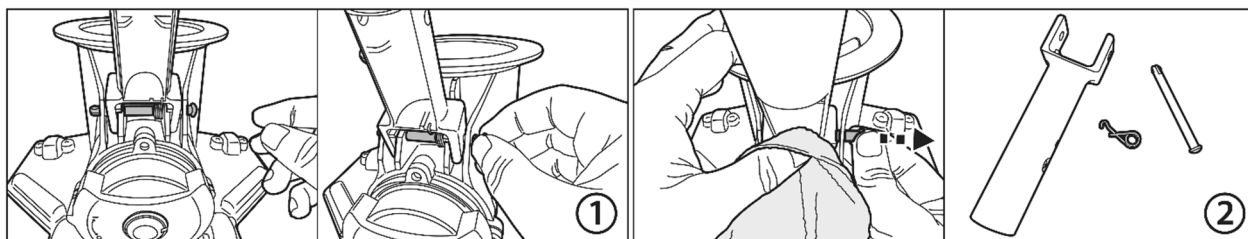
Probeer in geen geval zelf de hoofdunit te demonteren en de waaier, motor en batterij zelf te vervangen.

OPGEPAST!

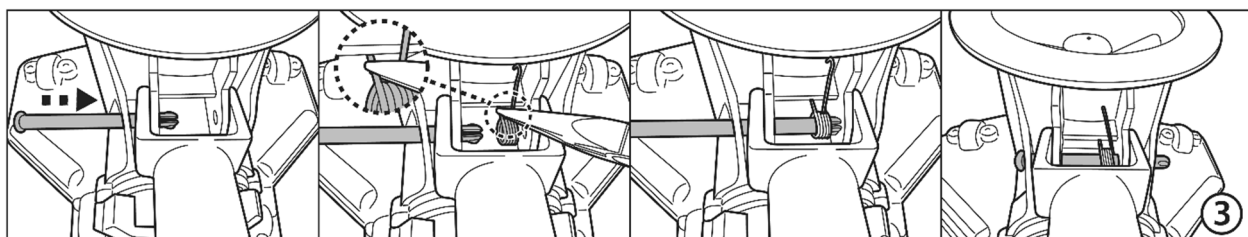
- Overmatige hitte kan de batterij beschadigen en de levensduur van uw zwembadstofzuiger verminderen.
- Raadpleeg uw dealer voor het vervangen van de batterij als het volgende gebeurt:
 - Batterij wordt niet volledig opgeladen.
 - De gebruiksduur van de batterij is aanzienlijk korter. Bekijk en noteer de looptijden van de eerste paar ingebruiknames (op volledige lading). Gebruik deze looptijden als referentiepunt voor vergelijking met looptijden in de toekomst.
- De batterij moet uit de zwembadstofzuiger worden verwijderd voordat deze wordt afgedankt.
- De batterij moet veilig worden weggegooid in overeenstemming met de plaatselijke verordeningen of voorschriften.

OPMERKING: Onjuist onderhoud kan de levensduur van de batterij verkorten en daardoor de capaciteit beïnvloeden.

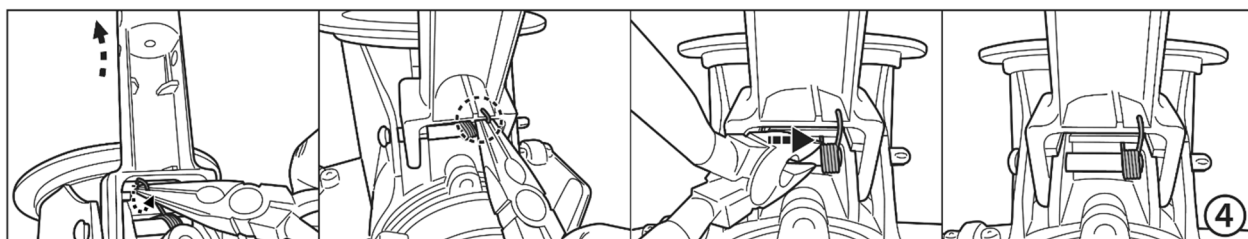
Vervanging van de koppelstuk van de paal



1. Pak het bovenste ronde uiteinde van de pin vast. Gebruik indien nodig een tang om te helpen bij het verwijderen.
2. Aangezien de torsieveer uit de pin schiet, moet u de veer afdekken met een doek terwijl u aan de pin trekt.



3. Steek de pin aan één kant in en plaats de veer zoals afgebeeld met behulp van een tang. Zorg ervoor dat de haak aan de bovenkant zit en het andere uiteinde onder de bank is geplaatst zoals afgebeeld. Lijn de pin uit en steek hem helemaal door het gat van de veer en het tegenoverliggende gat.



4. Gebruik een tang om de haak uit de onderkant van de koppelstuk te trekken en bevestig hem vervolgens op de koppelstuk zoals afgebeeld. Schuif de hele veer naar rechts.

VERWIJDERING VAN DE BATTERIJ (Uit te voeren door geautoriseerde technicus)

Uw zwembadstofzuiger is uitgerust met een onderhoudsvrije oplaadbare lithium-ionbatterij, die op de juiste manier moet worden weggegooid. Recycling is vereist; Neem contact op met uw lokale autoriteit voor meer informatie.

WAARSCHUWING! Probeer nooit een batterij uit elkaar te halen

- Verwijder alle persoonlijke items zoals ringen, armbanden, kettingen en horloges wanneer de accu niet is aangesloten op de zwembadstofzuiger.
- Een batterij kan een kortsluitstroom produceren die hoog genoeg is om een ring (of vergelijkbaar voorwerp) aan metaal te lassen, wat een ernstige brandwonde in het proces veroorzaakt.
- Draag volledige oogbescherming, handschoenen en beschermende kleding wanneer de batterij wordt verwijderd.
- Raak de draden helemaal niet aan en vermijd contact tussen de draden en metalen voorwerpen, die vonken en/of kortsluiting van de batterij kunnen veroorzaken.
- Rook nooit en laat geen vonk of vlam in de buurt van de batterij of de zwembadstofzuiger.
- Stel de batterij niet bloot aan vuur of intense hitte, omdat dit kan leiden tot een explosie.

OPGEPAST!

Als een batterij lekt, vermijd dan contact met de lekkende vloeistoffen en plaats de beschadigde batterij in een plastic zak.

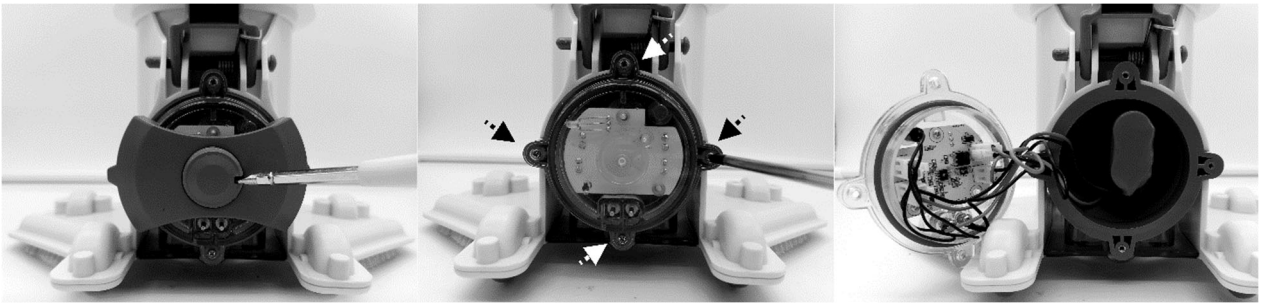
- Als lekkende vloeistoffen in contact komen met huid en kleding, onmiddellijk wassen met veel zeep en water.
- Als lekkende vloeistoffen in contact komen met de ogen, wrijf ze dan niet uit en spoel ze onmiddellijk gedurende minimaal 15 minuten met koud stromend water. Roep zo snel mogelijk medische hulp in.

Hoe de accu te verwijderen, enkel voor het weggooiden van de batterij (Uit te voeren door een geautoriseerd technicus)

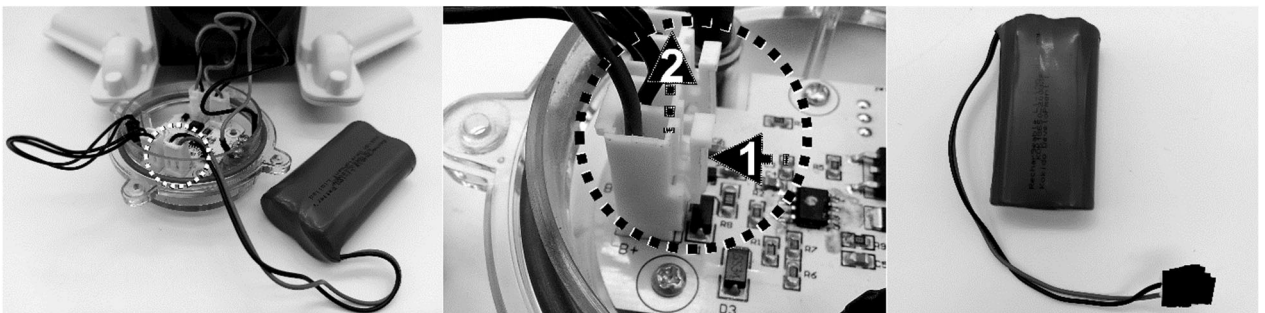
Aanbevolen gereedschap (niet inbegrepen): schroevendraaier.

WAARSCHUWING! De zwembadstofzuiger moet worden losgekoppeld van de netvoeding voordat u de accu verwijdert.

1. Plaats de zwembadstofzuiger op een vlakke ondergrond. Gebruik de schroevendraaier om het kleine deksel open te wrikken en de 4 schroeven los te draaien. Verwijder de batterij uit de kamer.



2. Verwijder de accu uit het toestel en zoek de connector van de accukabel. Om de batterijverbindingsdraad los te maken, drukt u op de clip van de connector om deze eruit te trekken. **OPMERKING:** Wikkel de connector onmiddellijk met isolatietape in om kortsluiting door het contact van beide draadaansluitingen te voorkomen.



PROBLEMEN OPLOSSEN

Probleem	Mogelijke Oorzaak	Oplossing
Reiniger begint niet	Lege batterij	Laad de zwembadstofzuiger op.
Vangt het puin niet op / vuil lekt in het zwembad	Lage batterij	Laad de zwembadstofzuiger op.
	Vastgelopen waaier	Verwijder de zwembadstofzuiger uit het water en draai de knop linksom om deze uit te schakelen. Controleer en kijk of de waaier is vastgelopen door groot vuil. Verwijder het vuil. Neem indien nodig contact op met uw dealer voor verdere instructies. WAARSCHUWING! Zorg ervoor dat de zwembadstofzuiger is uitgeschakeld voordat het apparaat wordt onderhouden.
	Gebroken waaier	Neem contact op met uw dealer voor vervanging.
	Filterzak is vol / verstopt	Reinig de filterzak.
De oplaadtijd is langer dan geadverteerd	Bevlekte oplaadpennen	De vlekken kunnen worden verwijderd met een wattenstaafje gedrenkt in sap van citroen of azijn om de gebieden rond de oplaadpennen schoon te maken.
Reiniger kan niet worden opgeladen	Beschadigde batterij	Neem contact op met dealer voor het vervangen van de batterij. WAARSCHUWING! Vervang de batterij NIET zelf. Dit kan ernstig of dodelijk letsel tot gevolg hebben en de garantie vervalt.
	Laadkabel is niet correct aangesloten op externe adapter en zwembadstofzuiger	Raadpleeg de handleiding en sluit de oplaadaccessoires correct aan.
	Externe adapter is defect	Neem contact op met dealer voor vervanging. WAARSCHUWING! Het gebruik van de verkeerde externe adapter leidt tot beschadiging van de zwembadstofzuiger/batterij en maakt de garantie ongeldig.

Milieuprogramma's, WEEE Europese Richtlijn



21007030
 Gelieve de regelgeving van de Europese Unie na te leven en zo het milieu te beschermen. Voer afgedankte elektrische apparatuur af naar een speciaal gemeentelijk inzamelpunt dat elektrische en elektronische apparatuur correct recyclet. Werp het niet weg bij ongesorteerd afval. Haal eventuele verwijderbare batterijen uit de afgedankte apparatuur.



© 2021 Kokido Development Ltd.
 Alle rechten voorbehouden. Niets van dit document mag worden vermenigvuldigd of doorgegeven in welke vorm of op welke wijze dan ook, zij het elektronisch, mechanisch, op fotokopie, opgenomen of op enige andere wijze, zonder de voorafgaande schriftelijke toestemming van Kokido Development Ltd. (V1)

Als een kopie van deze handleiding vereist is, neem dan contact op met onze klantenservice via e-mail: customerservice@kokido.com

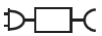
BEWAAR DEZE INSTRUCTIES

AVVERTENZE DI SICUREZZA & ISTRUZIONI

Le informazioni contenute in questo Manuale di Istruzioni vi aiuteranno a far funzionare l'oggetto in sicurezza, a proteggere voi stessi e gli altri da pericoli e a prevenire danni al dispositivo e ad altri beni.

CONSERVARE LE PRESENTI ISTRUZIONI

ATTENZIONE!

- Questo non è un giocattolo. I bambini devono essere tenuti lontani da questo apparecchio e dai suoi accessori
- Non permettere ai bambini di usare questo prodotto.
- Il presente apparecchio non deve essere utilizzato da persone con ridotte capacità fisiche, sensoriali o mentali o se privi di esperienza e conoscenza, salvo siano soggetti a supervisione o se gli sono state fornite istruzioni inerenti all'uso dell'apparecchio da parte di un responsabile incaricato della loro sicurezza.
- Non è consentito ai minori di giocare con questo prodotto.
- Non è consentita ai minori la manutenzione e la pulizia del pulitore
- Assicurarsi che il pulitore della piscina sia completamente immerso nell'acqua prima di avviare il funzionamento. Il livello minimo dell'acqua richiesto per azionare l'aspirapolvere della piscina deve coprire l'intera aspirazione della piscina. Il funzionamento del pulitore per piscina quando non è immerso correttamente nell'acqua potrebbe danneggiare l'unità e di conseguenza annullare la garanzia.
- Massima profondità di utilizzo: 3m.
- Massima temperatura di utilizzo: da 5°C (41°F) a 35°C (95°F)
-  Unità di alimentazione rimovibile (adattatore esterno).
- L'aspiratore per piscina deve essere ricaricato solo con l'adattatore esterno e la cavo di ricarica forniti con questo prodotto.
- Per ricaricare la batteria, utilizzare solo l'unità di alimentazione rimovibile (numero modello adattatore esterno: DSS12D-0841000-B / DSS12D-0841000-C / DSS12D-0841000-D/ LX084100U) fornita con questo pulitore per piscina per caricare la batteria.
- Collegare l'adattatore esterno a una presa elettrica tramite il dispositivo differenziale (RCD)/ un interruttore di messa a terra (GFCI). In caso di dubbi, consultare un elettricista professionista qualificato.
- Non utilizzate il pulitore se risulta danneggiato.
- Sostituire le parte danneggiate con altre dotate dell'apposita certificazione che è stata fornita dal distributore o fabbricante.
- Prima di disconnettere il pulitore dal cavo di ricarica, staccare l'alimentazione, staccare l'adattatore dalla presa di tensione e dal cavo di ricarica.
- Scollegare l'aspiratore della piscina dalla rete di alimentazione e assicurarsi che l'aspiratore della piscina sia spento prima di eseguire la

- manutenzione regolare, come la pulizia del filtro.
- Non tentare di sostituire la batteria ricaricabile agli ioni di litio installata.
 - NON maneggiare il pulitore, l' adattatore esterno e la cavo di ricarica mentre è in carica con arti bagnati e senza scarpe.
 - Il pulitore non può essere utili sacchetto filtro zzato mentre ci sono persone o animali in piscina.
 - Non utilizzare il pulitore con il danneggiato sacchetto filtro, altrimenti la garanzia verrà annullata immediatamente.
 - Rischio di intrappolamento: il pulitore funziona in aspirazione, non permettere a nessuna parte del corpo o agli indumenti di prendere contatto con la bocca di aspirazione del pulitore durante l'utilizzo.
 - Non inserite parti del corpo, vestiti o altri oggetti all'interno delle aperture o delle parti in movimento del pulitore.
 - NON utilizzare questo pulitore per raccogliere sostanze tossiche, infiammabili e liquidi combustibili (ad es. Benzina) in presenza di fumi esplosivi o infiammabili.
 - Non tentare di sostituire la girante, il motore e la batteria da soli
 - Non inserire mai le dita né altri oggetti per toccare la ventola.
 - La batteria integrata deve essere rimossa da un tecnico qualificato prima di essere scaricata..
 - Quest' pulitore contiene una batteria che dev'essere rimossa soltanto da personale qualificato.
 - L' pulitore deve essere disconnesso dall'alimentazione principale quando la batteria viene rimossa.
 - Per i dettagli relativi al riciclaggio / smaltimento della batteria, consultare la sezione "SMALTIMENTO DELLA BATTERIA" in questo manuale e contattare le autorità locali per ulteriori informazioni.
 - La batteria dev'essere smaltita in modo sicuro, secondo quanto stabilito dalle ordinanze e i regolamenti locali.
- Adattatore esterno e cavo di ricarica:
- Utilizzare l'adattatore esterno e la cavo di ricarica unicamente per ricaricare il pacco batterie del pulitore consegnato con la fornitura.
 - L'adattatore esterno e la cavo di ricarica non devono essere usati all'aperto né esposti a pioggia, umidità, qualsiasi tipo di liquido o calore.
 - Il trasformatore (o adattatore esterno) dev'essere collocato fuori dalla zona 1
 - Mettere l'adattatore esterno e il cavo di ricarica fuori dalla portata dei bambini.
 - Non utilizzate l'adattatore esterno e il cavo di ricarica se sono danneggiati.
 - Non maneggiate l'adattatore esterno e il cavo di ricarica con le mani bagnate.
 - Tenete l'adattatore disconnesso dalla rete elettrica quando non è in uso.
 - Non tentate mai di aprire l'adattatore esterno e il cavo di ricarica

- Se il cavo di alimentazione dell'adattatore esterno è danneggiato, l'adattatore esterno deve essere sostituito dal produttore o dal suo agente di servizio per evitare rischi di qualsiasi genere.
- Accertarsi che il pulitore e il cavo di ricarica siano completamente asciutti prima di iniziare la ricarica.

ATTENZIONE!

- Questo pulitore è stato progettato per essere utilizzato solamente sott'acqua; non è un pulitore universale. Non utilizzate il pulitore se non per pulire la vostra piscina.
- Utilizzate solamente gli accessori originali di corredo al prodotto.
- Non utilizzare il pulitore immediatamente dopo un trattamento shock. Si raccomanda di lasciare circolare l'acqua della piscina per almeno 24/48 ore.
- Se usi una piscina con acqua salata, accertati che tutto il sale si sia dissolto prima di collocare il pulitore nell'acqua.
- Non è raccomandato l'uso del pulitore contemporaneamente a un altro pulitore automatico/pulitore.
- Evitare di raccogliere oggetti pesanti e a punta con questo prodotto. Possono danneggiare il pulitore e il suo filtro.
- Per evitare danni all'adattatore esterno e alla cavo di ricarica, non trasportare il pulitore dal cavo dell'adattatore esterno/cavo di ricarica né tirare la cavo per disconnettersi adattatore esterno dalla fonte di alimentazione e dalla.
- Caricare il pulitore per piscina al chiuso in un'area pulita e asciutta con una buona ventilazione e lontano dalla luce solare.
- Non lasciate il pulitore in carica per più di 10 ore.
- Se il pulitore non viene utilizzato per un lungo periodo, scollegatelo dal cavo di ricarica e utilizzate un panno umido per pulire e asciugare il pulitore e i suoi accessori. Accertarsi di portare la capacità della batteria del robot tra il 30% e il 50% prima di conservarlo. Riponete il pulitore in un area ben ventilata lontano dalla luce del sole, dal calore, dai prodotti chimici e dai bambini.
- Tutte le azioni riguardanti lo smontaggio dell'unità principale (es. Lo smaltimento della batteria) possono essere eseguite solo da un tecnico autorizzato.

Le avvertenze e precauzioni che precedono non sono intese a comprendere tutti i possibili rischi e/o lesioni. I proprietari di piscine/spa dovranno avere una speciale attenzione e usare il buon senso comune durante l'uso del prodotto.

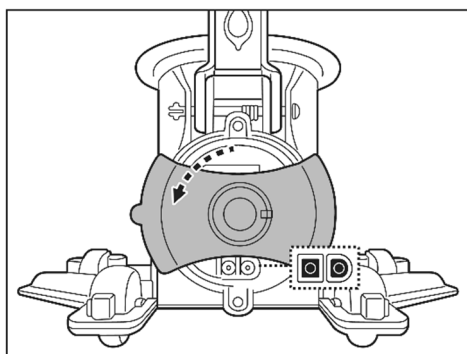
PER INIZIARE

Caricare la batteria

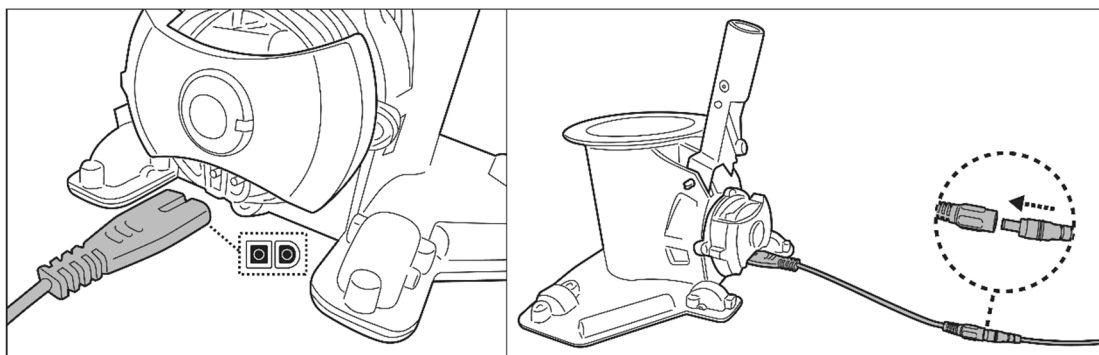
NOTA IMPORTANTE: Caricare completamente il pulitore (circa 6 ore) prima di usarlo per la prima volta.

ATTENZIONE!

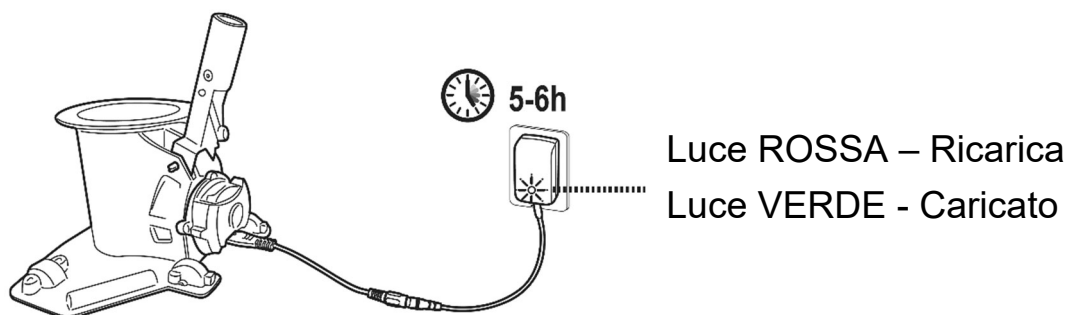
- TENERE LE DITA LONTANO DALL'APERTURA PER EVITARE DI ESSERE COLPITI DALLA GIRANTE QUANDO È IN FUNZIONE.
 - Usare soltanto l'adattatore esterno originale e la cavo di ricarica fornito.
 - Accertarsi che il pulitore e la porta di carica sono puliti ed asciutti prima dell'installazione e della ricarica. (SUGGERIMENTI: utilizzare un cotton fioc per asciugare la porta di ricarica e i perni di ricarica)
 - I pin di ricarica sono impermeabili. Tuttavia, i resti d'acqua nel porto e attorno ai perni potrebbero provocare la presenza naturale di macchie (un sottoprodotto della reazione chimica tra acqua e correnti elettriche). Altrimenti, le macchie possono essere rimosse strofinando leggermente con un batuffolo di cotone imbevuto di succo di limone o aceto.
1. Posizionare l'unità su una superficie piatta e uniforme. Impostare il pulitore per piscina in modalità Spegnimento / Ricarica ruotando la manopola di commutazione in senso antiorario finché non scatta ed espone completamente la porta di ricarica.



2. Allineare e collegare la cavo di ricarica alla porta di ricarica. **ATTENZIONE!** Assicurarsi di non invertire la cavo di ricarica e assicurarsi che sia la spina che la porta di ricarica siano pulite e asciutte prima di caricarle. **SUGGERIMENTI:** usa un batuffolo di cotone per asciugare la porta di charging e i perni. Collegare la spina del cavo dell'adattatore esterno alla porta del cavo di ricarica.



3. Collegare il cavo di ricarica dell'adattatore esterno all'alimentatore. La luce dell'indicatore esterno si accenderà di rosso quando il pulitore è in carica e di verde quando sarà completamente carico. Caricalo per 5- 6 ore per ottenere le migliori prestazioni.



- Spegnere e disconnettere immediatamente l'adattatore esterno dalla fonte di alimentazione se si verifica una delle seguenti condizioni:
 - Odore sgradevole o insolito
 - Calore eccessivo
 - Deformazione, rotture, fughe
 - Fumo
- 4. Quando la ricarica è completa, scollegare l'adattatore esterno dalla fonte di alimentazione e scollegare il cavo di ricarica dall'unità principale.
ATTENZIONE! Non abbandonare per nessun motivo di ricarica mentre il pulitore per piscina è in acqua.

Normalmente il pulitore per piscina è progettato per funzionare fino a 75 minuti se completamente carico.

NOTA: Pulire regolarmente il sacchetto filtro. Detriti eccessivi all'interno del sacchetto filtro aumentano il carico per il funzionamento del motore e di conseguenza riducono la durata operativa.

IMPORTANTE: la batteria ricaricabile agli ioni di litio è classificata come un articolo di consumo. Ha una durata di vita limitata e perderà gradualmente la sua capacità di mantenere la carica. Pertanto, la durata di funzionamento del pulitore si ridurrà gradualmente dopo ripetute cariche ed utilizzi..

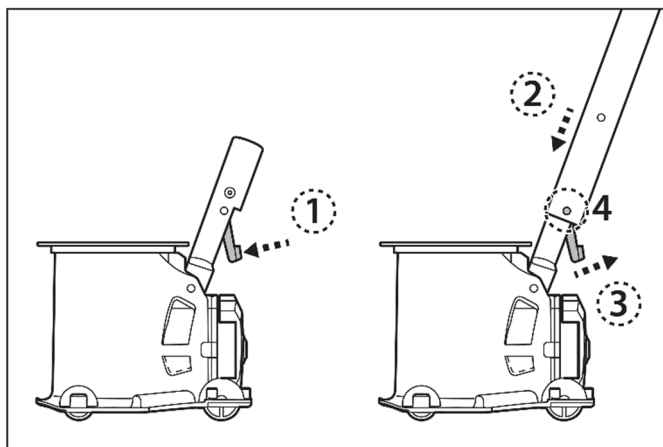
Una volta terminata la vita utile della batteria, leggere la sezione “SMALTIMENTO DELLA BATTERIA” per ottenere istruzioni per lo smaltimento della batteria.

NOTA: Lasciare riposare il pulitore da 30 a 40 minuti prima di ricaricarlo di nuovo..

Montaggio prima dell'uso

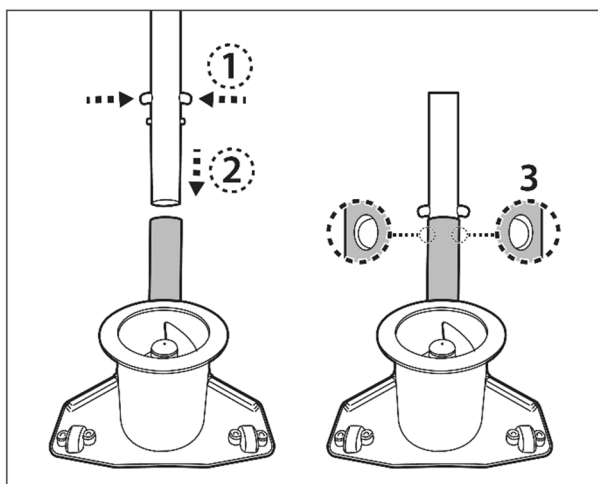
Assemblaggio palo telescopico (non fornita) (solo per USA / EU)

Premere il morsetto a V sul connettore dell'asta per far rientrare i suoi perni laterali. Far scorrere l'asta telescopica nel connettore fino a quando non è bloccata in posizione dai perni laterali e dai fori, quindi rilasciare il morsetto a V.

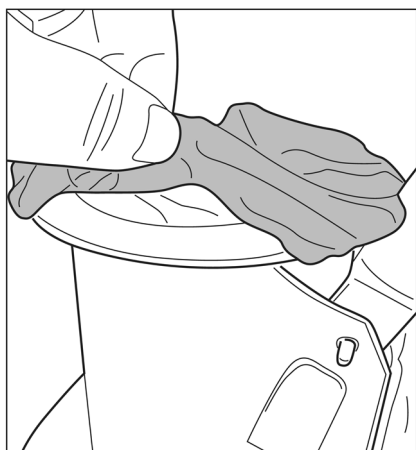


Assemblaggio palo telescopico specific (non fornita) (solo per Australia/Nuova Zelanda)

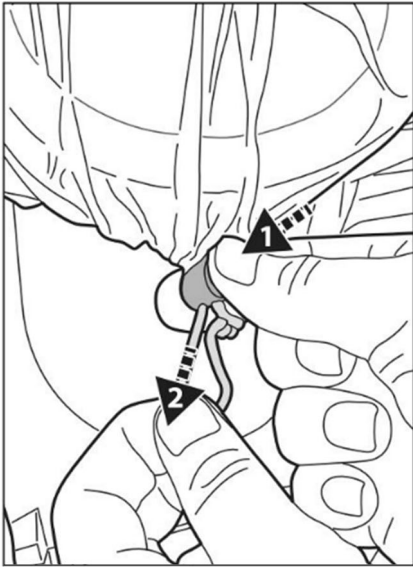
Premere sulla clip interna a forcella (preinstallata all'interno dell'asta telescopica specifica) per ritrarre i suoi perni laterali. Far scorrere l'asta telescopica specifica nel connettore dell'asta specifica fino a quando non è bloccata in posizione dai perni laterali e dai fori.



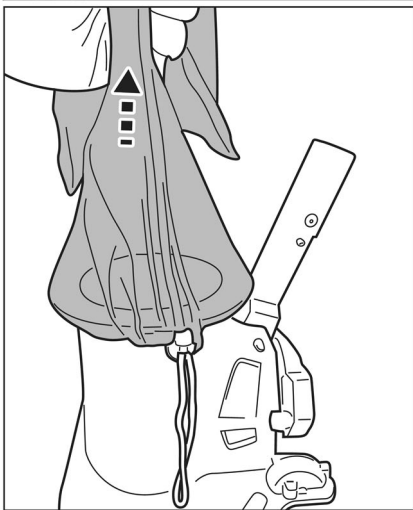
Assemblaggio sacchetto filtro



Distribuire il sacchetto filtro sull'apertura superiore del corpo principale del pulitore per piscina. Assicurati che il cavo della borsa sia posizionato sotto la flangia dell'apertura superiore.



Con il cavo in mano, premere sul dispositivo di fissaggio del cavo e spingerlo sotto la flangia.
SUGGERIMENTI: per fissare il sacchetto filtro, quando si spinge il dispositivo di fissaggio del cavo sotto la flangia, tirare un cavo invece di due cavi come mostrato nel diagramma.

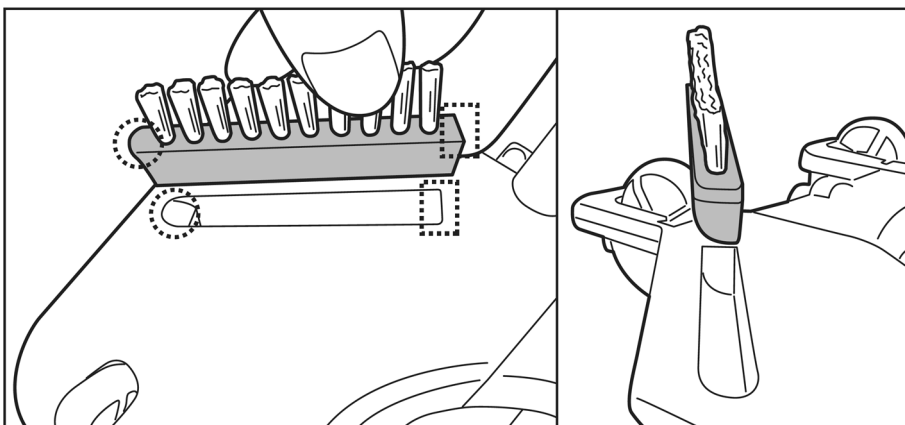


Sollevarlo il sacco per assicurarsi che sia completamente fissato prima di distribuire l'aspirapolvere per piscina in acqua.

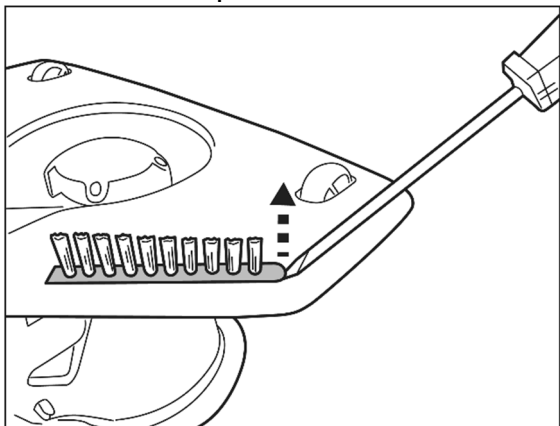
Assemblaggio spazzole

Allineare e inserire tutte le spazzole nelle tacche sul lato inferiore dell'aspiratore della piscina

NOTA: le 2 spazzole fornite non sono intercambiabili. Scegliete la spazzola in base alla curvatura e alla forma della tacca. Assicuratevi che le spazzole siano montate correttamente.



Per staccare lo spazzolino, inserire la punta di un piccolo cacciavite nella tacca d'angolo e sollevare lo spazzolino.



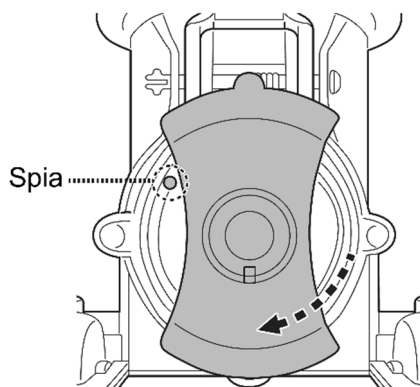
Preparazione della piscina

- Se il rivestimento è usurato, danneggiato o grinzoso, contattare un professionista qualificato per l'esecuzione delle riparazioni necessarie o procedere alla sostituzione del rivestimento prima di usare il pulitore.
- Se usi una piscina con acqua salata, accertati che tutto il sale si sia dissolto prima di collocare il pulitore nell'acqua.

FUNZIONAMENTO

ATTENZIONE! TENERE LE DITA LONTANO DALL'APERTURA PER EVITARE DI ESSERE COLPITI DALLA GIRANTE QUANDO È IN FUNZIONE.

- 1) Porta il pulitore della piscina a bordo piscina. Ruotare la manopola di commutazione in senso orario fino a quando non si ferma e scatta, e l'indicatore di accensione nell'angolo superiore si accende. Immergete l'aspiratore per piscina nell'acqua. L'indicatore comincerà a lampeggiare quando rimangono circa 10-15 minuti di tempo di lavoro.

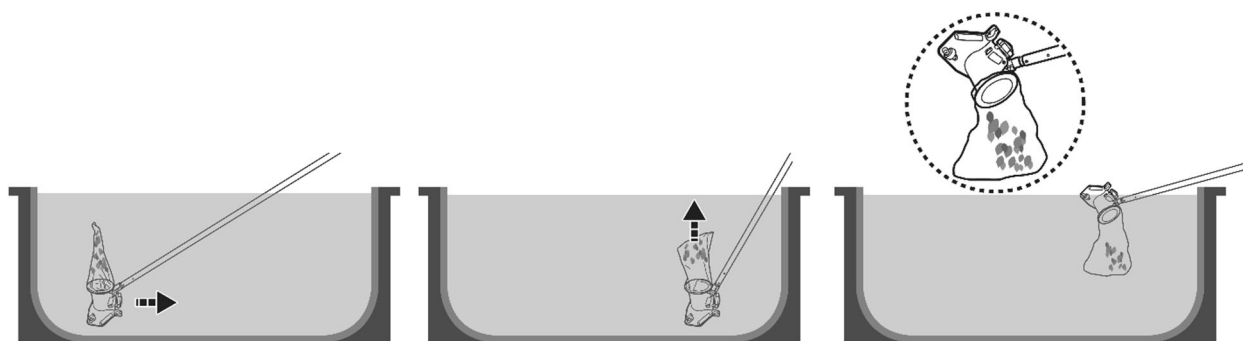


Spia luminosa	
Verde	In funzionamento
Rosso	La girante si ferma (girante intasato)

Per aspirare efficacemente i detriti, assicurati che l'aspirapolvere per piscina sia posizionato in piano sul fondo della piscina mentre lo muovi avanti e indietro con movimento regolare su chiazze di detriti per la raccolta. I detriti vengono raccolti dalla parte anteriore, laterale e posteriore per riempire il sacchetto filtro.

Lo sporco in eccesso e i detriti nella piscina potrebbero ostruire la girante, che si fermerebbe automaticamente per proteggere il motore e la spia luminosa diventerebbe rossa. Rimuovere il pulitore dalla piscina e spegnerlo prima di disostruire e svuotare il sacchetto del filtro se è pieno. Per riprendere il funzionamento, ruotare la manopola di commutazione in senso antiorario fino a selezionare Spegnimento, quindi ruotarla in senso orario per selezionare Accensione.

- 2) Per recuperare l'aspirapolvere della piscina, portarlo a bordo vasca e capovolgerlo prima di sollevarlo. Questo viene fatto per evitare che i detriti si disperdano di nuovo nella piscina ed evitare di piegare il palo durante il processo.

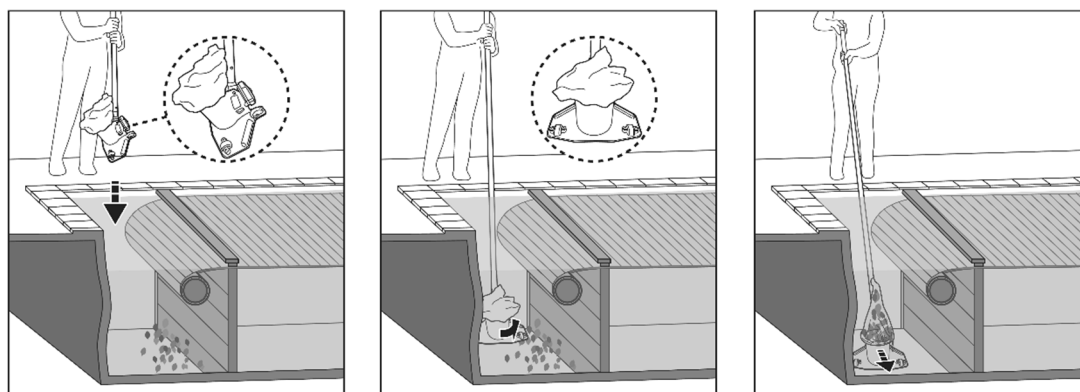


- 3) Risciacquare l'aspirapolvere della piscina con acqua fresca dopo ogni utilizzo. **NON** utilizzare detergenti aggressivi.
- 4) Asciugare accuratamente la porta di ricarica e i perni (SUGGERIMENTO: utilizzare un batuffolo di cotone per asciugarli).

Aspirazione dello scomparto incassato di una copertura a doghe automatica

AVVERTENZA! Prestare attenzione a tutte le avvertenze di sicurezza nel manuale della copertura a doghe automatica relative a questa operazione di pulizia in anticipo.

- La distanza minima richiesta per l'immersione del vuoto nel compartimento incassato è di 24 cm (9.5 pollici)



- Rimuovere il passerella e srotolare la stecca della piscina secondo le istruzioni del manuale della copertura per piscina.
- Attaccare un'asta telescopica/ palo telescopico specific (non fornita) all'connettore dell'asta come indicato nel manuale.
- Accendere il pulitore e successivamente allinearlo come mostrato nell'immagine sopra prima dell'immersione.
- Una volta che il robot raggiunge il fondo della piscina, parallelamente alla lunghezza della piscina come mostrato sopra e inizia ad aspirare il compartimento incassato.

SVUOTARE IL FILTRO

ATTENZIONE! Assicurarsi che il pulitore della piscina sia spento prima di pulire il sacchetto del filtro.

Il lavaggio regolare del sacco filtrante contribuisce a mantenere una buona aspirazione e uno stretto contatto tra l'aspiratore e il fondo della piscina durante l'operazione.

Posizionare il detergente su una superficie piana e robusta. Premere sulla chiusura del cavo per rilasciare la borsa dal corpo principale. Si consiglia di lavare il sacchetto filtro con un getto d'acqua dopo ogni ciclo di pulizia della piscina. Per eliminare lo sporco ostinato o le impurità su un filtro intasato, lavare il sacchetto del filtro in lavatrice a temperatura dell'acqua a 30°C. Se si ritiene necessaria la spazzolatura, utilizzare solo una spazzola morbida per pulirla accuratamente e delicatamente per evitare danni.

MANUTENZIONE & STOCCAGGIO

NOTE:

1. Assicurati di aver pulito e asciugato le aree limitrofe alla porta di ricarica e ai sensori dell'acqua dopo ogni utilizzo per evitare la formazione di macchie (sottoprodotto di una reazione chimica naturale tra corrente elettrica e acqua). Diversamente, le macchie possono essere rimosse strofinando leggermente con un batuffolo di cotone imbevuto di succo di limone o aceto.
2. La batteria si scarica da sola durante lo stoccaggio. Accertarsi di portare la capacità della batteria del pulitore tra il 30% e il 50% prima di conservarlo.
3. È necessario ricaricare la batteria almeno una volta ogni tre mesi se non viene usata.
 - Disconnettere l'adattatore esterno dalla presa di corrente e quindi riconnettere il jack dell'adattatore dalla pulitore.
 - Staccare gli accessori dall'aspiratore della piscina. Se necessario, risciacquare l'aspiratore della piscina e gli accessori con acqua fresca. **NON USARE** detergenti aggressive.
 - Accertarsi di asciugare il pulitore della piscina prima dell'immagazzinamento.
 - Utilizzare un panno umido per pulire ed asciugare l'aspiratore della piscina ed i relativi accessori.
 - Provvedere ad uno stoccaggio in un'area ben ventilata ed al riparo dalla luce solare, dal calore, da materiale infiammabile e da prodotti chimici e fuori dalla portata dei bambini. La temperatura dell'ambiente di stoccaggio deve essere compresa tra i 10°C – 25°C. NB: una temperatura più elevata può ridurre il ciclo di vita della batteria durante lo stoccaggio stesso.

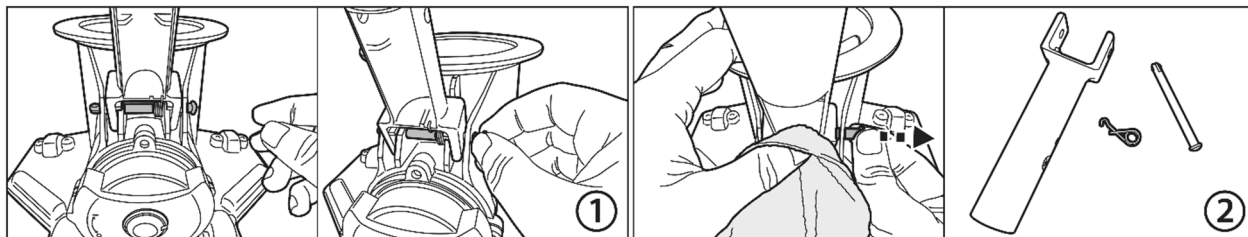
ATTENZIONE!

In nessun caso si deve tentare di smontare il pulitore e rimontare in autonomia la girante, il motore e la batteria.

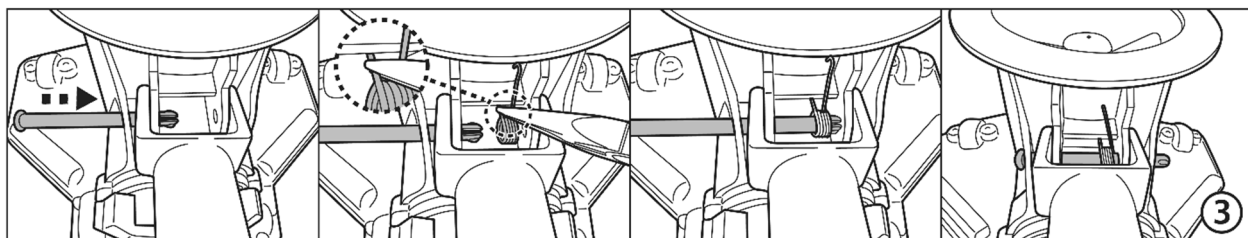
ATTENZIONE!

- Un calore eccessivo può danneggiare la batteria e ridurre la sua durata. Consultare il proprio rivenditore per la sostituzione della batteria se si verifica una delle seguenti condizioni:
 - La batteria appare danneggiata o non si ricarica completamente.
 - Il tempo di funzionamento della batteria è notevolmente ridotto. Osservare e registrare i tempi di funzionamento delle prime attività (a ricarica completa). Usare questi tempi come punto di riferimento per compararli con i tempi di funzionamento di batterie più vecchie.
 - La batteria deve essere rimossa dall'aspiratore della piscina prima dello smaltimento/rottamazione.
 - L'aspiratore della piscina deve essere disconnesso dalla rete di alimentazione prima di rimuovere la batteria.
 - La batteria deve essere smaltita con cura ed in sicurezza, in accordo con le legislazioni ed i regolamenti locali vigenti.
- NB: Una manutenzione non appropriata può ridurre il ciclo di vita della batteria ed intaccare le sue capacità.

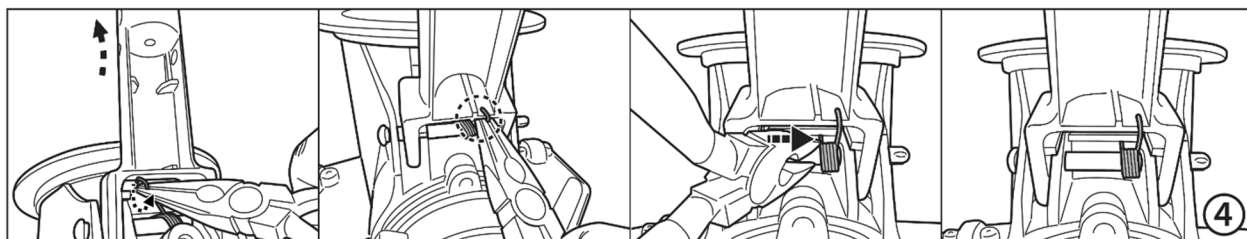
Sostituzione del connettore palo



1. Afferrare l'estremità superiore rotonda del perno. Usare un paio di pinze per aiutare la rimozione, se necessario.
2. Poiché la molla di torsione verrà espulsa quando lascerà il perno, assicuratevi di coprire la molla con un pezzo di stoffa mentre tirate il perno.



3. Inserire il perno da un'estremità e posizionare la molla come mostrato con l'aiuto di un paio di pinze. Assicuratevi che il gancio sia in alto e che l'altra estremità sia installata sotto il banco come mostrato. Allineare e inserire il perno fino in fondo attraverso il foro della molla e il foro opposto.



4. Usare un paio di pinze per tirare il gancio dalla parte inferiore della connettore, poi fissarlo sulla connettore come mostrato. Spostare l'intera molla a destra.

SMALTIMENTO DELLA BATTERIA (Da eseguirsi solo da parte di un tecnico autorizzato)

L'aspiratore della piscina della batteria è una confezione contenente una batteria a LITIO-ION ricaricabile che non richiede manutenzione e che deve essere smaltita in maniera appropriata. Il riciclo è obbligatorio: si prega di contattare l'autorità locale in materia per informazioni in proposito.

ATTENZIONE!

Mai tentare di smontare il kit batteria

- Togliere tutti gli oggetti personali come ad esempio anelli, braccialetti, collane ed orologi quando il kit batteria è disconnesso dall'aspiratore della piscina.
- Una batteria può produrre un breve corto circuito sufficientemente forte da saldare un anello (od un oggetto simile) al metallo, provocando gravi ustioni.
- Indossare una protezione complete per gli occhi, guati ed un abbigliamento di sicurezza appropriato durante la rimozione del kit batteria.
- Evitare di toccare tutti i cavi contemporaneamente ed evitare di consentire un contatto tra i cavi ed un oggetto di metallo poichè si possono provocare scintille o corto circuiti.
- Mai fumare o avvicinare fonti di scintille o fiamme in prossimità della batteria o dell'aspiratore della piscina.
- Non esporre la batteria al fuoco o ad alte fonti di calore poichè possono provocare un' esplosione.

ATTENZIONE!

Se una batteria presenta una perdita, evitare il contatto con i liquidi fuoriusciti e posizionare la batteria danneggiata in una borsa di plastica.

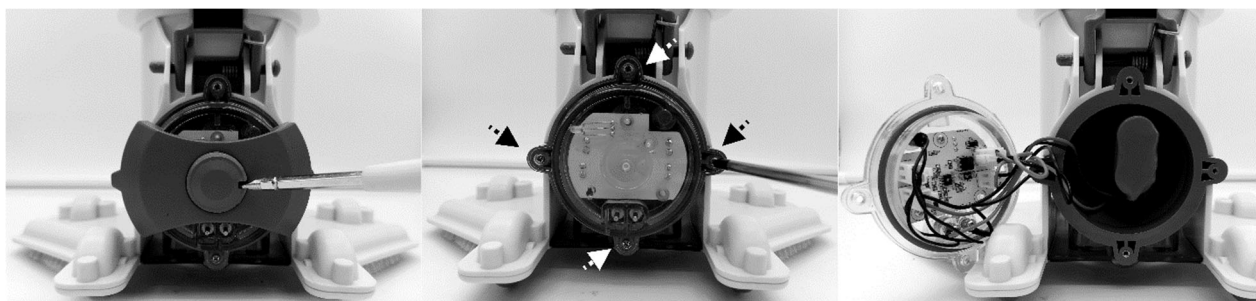
- Se i liquidi fuoriusciti vanno in contatto con pelle o vestiti, lavare immediatamente con sapone ed acqua abbondanti.
- Se i liquidi fuoriusciti vanno in contatto con occhi, sciacquare immediatamente gli occhi sotto acqua corrente fresca per almeno 15 minuti e non sfregarli assolutamente. Ricorrere ad un'appropriata assistenza medica il prima possibile.

Come rimuovere il pack batteria solo per lo smaltimento della batteria (Da eseguirsi solo da parte di un tecnico autorizzato)

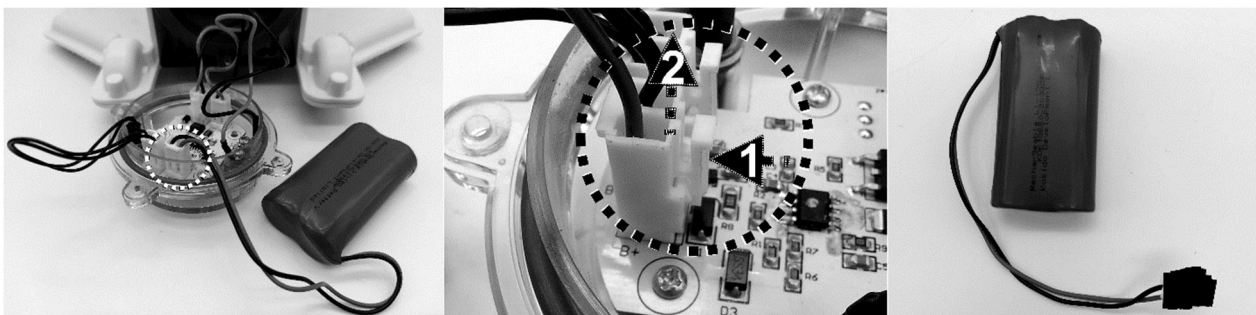
Strumenti raccomandati (non inclusi): cacciavite

AVVERTENZA! Il pulitore per piscina deve essere scollegato dalla rete di alimentazione prima di rimuovere il pacco batteria.

1. Posizionare il pulitore per piscina su una superficie piana. Utilizzare il cacciavite per fare leva sul piccolo coperchio e svitare le 4 viti. Rimuovere la batteria dalla camera.





2. Rimuovere la batteria dall'unità e individuare il connettore del cavo della batteria. Per staccare il cavo di collegamento della batteria, premere sulla clip del connettore per estrarlo. **NOTA:** avvolgere immediatamente il connettore con nastro isolante per evitare cortocircuiti causati dal contatto di entrambi i terminali del filo.



RISOLUZIONE DEI PROBLEMI

Problema	Possibili Cause	Soluzioni
Il pulitore non inizia a funzionare	Privo di batterie	Carica il pulitore della piscina.
Non cattura i detriti / i detriti sono fuoriusciti nella piscina	Batteria scarica	Carica il pulitore della piscina.
	Girante inceppata	Rimuovere il pulitore della piscina dall'acqua e ruotare la manopola in senso antiorario per spegnerla. Controllare e vedere se la girante è bloccata da grandi detriti. Rimuovere i detriti. Se necessario, contattare il proprio rivenditore per ulteriori istruzioni. AVVERTENZA! Assicurarsi che l'aspirapolvere della piscina sia spento prima di eseguire la manutenzione dell'unità.
	Girante rotta	Contattare il proprio rivenditore per la sostituzione.
Il sacchetto del filtro è pieno / ostruito	Il sacchetto del filtro è pieno / ostruito	Pulire il sacchetto del filtro.
	Pin di ricarica macchiati	Le macchie possono essere rimosse utilizzando un batuffolo di cotone imbevuto di succo di limone o aceto per pulire le aree intorno ai sensori dell'acqua.
Il tempo di ricarica è più lungo di pubblicato	Batteria danneggiata	Contattare il rivenditore per la sostituzione della batteria. AVVERTENZA! NON sostituire la batteria da soli. Ciò potrebbe provocare lesioni gravi o mortali e la garanzia verrà annullata di conseguenza.
	La cavo di ricarica non è collegata correttamente all'adattatore esterno e all'aspirapolvere per piscina	Fare riferimento al manuale di istruzioni e collegare correttamente gli accessori di ricarica.
	L'adattatore esterno è guasto	Contattare il proprio rivenditore per la sostituzione. AVVERTENZA! L'uso di un adattatore esterno sbagliato provocherà danni all'aspirapolvere / batteria della piscina e di conseguenza annullerà la garanzia.

Programma Ambientale, Direttiva Europea WEEE

	<p>Rispettare le normative dell'Unione Europea e aiutare a proteggere l'ambiente.</p> <p>Le attrezzature elettriche non rilavorate devono essere smaltite presso un impianto indicato dal Comune di competenza che si occupi di riciclare appropriatamente attrezzature elettriche ed elettroniche.</p> <p>Non gettare via tali attrezzature in cassonetti per rifiuti indifferenziati.</p> <p>Per articoli contenenti batterie removibili, rimuovere le batterie prima di gettare via il prodotto.</p>
	<p>© 2021 Kokido Development Ltd. 21007030</p> <p>Tutti i diritti sono riservati. Nessuna parte di questo documento può essere riprodotta o trasmessa in alcuna forma o tramite alcun mezzo, elettronico, meccanico, fotocopia, registrazione o altro, salvo previa autorizzazione della Kokido Development Ltd. (V1)</p>

Se è richiesta una copia digitale del presente manuale, prego contattare il centro di assistenza via email: customerservice@kokido.com


CONSERVARE LE PRESENTI ISTRUZIONI

SICHERHEITSHINWEISE UND ANWEISUNGEN

Die in dieser Bedienungsanleitung enthaltenen Informationen helfen Ihnen, das Gerät sicher zu bedienen, sich und andere vor Gefahren zu schützen und Schäden am Gerät und anderem Eigentum zu vermeiden.

ANLEITUNG AUFBEWAHREN

WARNUNG!

- Dies ist KEIN SPIELZEUG. Kinder sollten von diesem Pool-Sauger und dessen Zubehör ferngehalten werden.
- Lassen Sie niemals Kinder dieses Produkt bedienen.
- Dieses Gerät ist nicht für die Verwendung durch Personen mit eingeschränkten physischen, sensorischen oder geistigen Fähigkeiten oder fehlender Erfahrung und mangelndem Wissen bestimmt, es sei denn, sie wurden von einer für ihre Sicherheit verantwortlichen Person beaufsichtigt oder in die sichere Verwendung des Geräts eingewiesen und verstehen die vorhandenen Gefahren.
- Kinder dürfen nicht mit diesem Produkt spielen.
- Reinigung und Wartung durch den Benutzer dürfen nicht von Kindern durchgeführt werden.
- Stellen Sie sicher, dass das Pool-Sauger vollständig in Wasser eingetaucht ist, bevor Sie den Betrieb aufnehmen. Der für den Betrieb des Pool-Saugers erforderliche Mindestwasserstand muss das gesamte Pool-Sauger abdecken. Wenn Sie den Pool-Sauger betreiben, wenn er nicht richtig in das Wasser eingetaucht ist, kann das Gerät beschädigt werden und die Garantie erlischt.
- Die maximale Betriebstiefe im Wasser beträgt 3 Meter.
- Betriebswassertemperatur: 5°C – 35°C.
-  Abnehmbare Versorgungseinheit (externer Adapter).
- Der Pool-Sauger darf nur mit einem mit diesem Produkt gelieferten externen Adapter und Ladekabel aufgeladen werden.
- Verwenden Sie zum Aufladen der Batterie nur die abnehmbare Stromversorgung (Modellnummer des externen Adapters: DSS12D-0841000-B / DSS12D-0841000-C / DSS12D-0841000-D/ LX084100U), die mit diesem Pool-Sauger geliefert wird.
- Verbinden Sie den externen Netzadapter über eine Fehlerstrom - Schutzeinrichtung, (RCD) / einen Fehlerstrom - Schutzschalter (RCCB) mit dem Netz. Ziehen Sie in Zweifelsfällen einen qualifizierten Elektriker zu Rate.
- Verwenden Sie diesen Pool-Sauger nicht, wenn Schäden festgestellt werden.
- Ersetzen Sie beschädigte Teile durch solche, die vom Händler oder Hersteller zertifiziert sind.
- Schalten Sie den Strom aus, trennen Sie den externen Adapter von der Stromquelle und ziehen Sie den externen Adapter vom Ladekabel ab, bevor Sie den Pool-Sauger vom Ladekabel abziehen.
- Trennen Sie das Pool-Sauger vom Versorgungsnetz und stellen Sie

- sicher, dass das Pool-Sauger ausgeschaltet ist, bevor Sie es warten, z. B. um den Filterbeutel zu reinigen.
- Versuchen Sie nicht, den eingebauten wiederaufladbaren Li-Ionen-Akku zu ersetzen.
 - Fassen Sie den Pool-Sauger, den externen Adapter und den Ladekabel NICHT mit nassen Gliedmaßen und ohne Schuhe an, während er aufgeladen wird.
 - Sie sollten diesen Pool-Sauger nicht betreiben, wenn sich Personen/Haustiere im Wasser befinden.
 - Verwenden Sie diesen Pool-Sauger NICHT ohne einen intakten Filterbeutel, da sonst Ihre Garantie erlischt.
 - Sauganschlussgefahr: dieses Pool-Sauger erzeugt eine Saugwirkung. Lassen Sie Haare, Körper und lose Teile Ihrer Kleidung während des Betriebs nicht mit dem Saugpunkt des Pool-Saugers in Kontakt kommen.
 - Führen Sie niemals Körperteile, Kleidung und andere Gegenstände in die Öffnungen und beweglichen Teile des Pool-Saugers ein.
 - Verwenden Sie diesen Pool-Sauger NICHT, um toxische Substanzen, entzündliche und brennbare Flüssigkeiten (z. B. Benzin) in Gegenwart von explosiven oder entflammaren Dämpfen aufzunehmen..
 - Versuchen Sie unter keinen Umständen, das Pool-Sauger zu zerlegen und das Laufrad, den Motor und die Batterie selbst auszutauschen.
 - Führen Sie niemals Finger und Gegenstände ein, um das Laufrad zu berühren.
 - Die eingebaute Batterie muss von einem Fachmann entfernt werden, bevor sie verschrottet wird.
 - Dieses mit Pool-Sauger arbeitende Gerät enthält einen Akku, der nur von Fachpersonal entfernt werden darf.
 - Bevor der Akku entfernt wird, muss das Pool-Sauger von der Stromversorgung getrennt werden.
 - Einzelheiten zum Recycling bzw. zur Entsorgung des Akkus finden Sie im Abschnitt „ENTSORGUNG DES AKKUS“ in dieser Anleitung und wenden Sie sich für weitere Informationen an Ihre örtlichen Behörden.
 - Der Akku muss im Einklang mit den im Verwendungsland geltenden Vorschriften entsorgt werden.
- Externer Adapter und Ladekabel:
 - Verwenden Sie den externen Adapter und den Ladekabel niemals für andere Zwecke als zum Laden des Akkus des Pool-Saugers, der im selben Paket enthalten ist.
 - Der externe Adapter und der Ladekabel dürfen weder im Freien verwendet werden noch Regen, Feuchtigkeit, Flüssigkeiten oder Hitze ausgesetzt werden.
 - Der Transformator (oder der externe Adapter) muss sich außerhalb der Zone 1 befinden.
 - Bewahren Sie den externen Adapter und den Ladekabel außerhalb der Reichweite von Kindern auf.

- Verwenden Sie niemals den externen Adapter und den Ladekabel, wenn Schäden festgestellt werden.
- Fassen Sie den externen Adapter und den Ladekabel NICHT mit nassen Händen an.
- Halten Sie den externen Adapter vom Stromnetz getrennt, wenn er nicht verwendet wird.
- Versuchen Sie keinesfalls, das externe Ladegerät und die Ladekabel zu öffnen.
- Wenn das Netzkabel des externen Adapters beschädigt ist, muss der externe Adapter durch den Hersteller oder seinen Kundendienstvertreter ersetzt werden, um Gefahren jeglicher Art zu vermeiden.
- Vergewissern Sie sich, dass der Pool-Sauger und der Ladekabel vor dem Aufladen vollständig trocken sind.

VORSICHT!

- Dieser Pool-Sauger ist nur für die Verwendung unter Wasser vorgesehen. Es ist kein Allzweckstaubsauger. Versuchen Sie NICHT, damit etwas anderes als Ihren Pool zu reinigen.
- Verwenden Sie nur Originalzubehör, das mit diesem Produkt geliefert wurde.
- Verwenden Sie diesen Poolreiniger NICHT unmittelbar nach dem Auftragen von Chlorschock. Es wird empfohlen, den Pool mindestens 24-48 Stunden lang im Umlauf zu lassen.
- Wenn Sie das Pool-Sauger in einem Salzwasserpool verwenden möchten, stellen Sie sicher, dass das gesamte Salz aufgelöst ist, bevor Sie es ins Wasser geben.
- Verwenden Sie diesen Pool-Sauger NICHT gleichzeitig mit einem anderen automatischen/manuellen Reingigungsgerät im Becken..
- Vermeiden Sie es, mit diesem Produkt harte, scharfe Gegenstände aufzunehmen, da diese das Pool-Sauger und den Filter beschädigen können.
- Um eine Beschädigung des externen Adapters und des Ladekabels zu vermeiden, versuchen Sie nicht, das Pool-Sauger tragen über das Kabel des externen Adapters/Ladekabel zu führen, und ziehen Sie nicht am Kabel, um externen Adapters von der Stromquelle zu trennen.
- Laden Sie den Pool-Sauger in einem sauberen, trockenen Bereich mit guter Belüftung und ohne Sonnenlicht auf.
- Lassen Sie das Pool-Sauger NICHT länger als 10 Stunden aufgeladen.
- Wenn der Pool-Sauger längere Zeit nicht verwendet wird, ziehen Sie ihn vom Ladekabel ab und reinigen und trocknen Sie den Pool-Sauger und sein Zubehör mit einem feuchten Tuch. Stellen Sie sicher, dass der Pool-Sauger vor der Lagerung auf etwa 30% bis 50% der Batteriekapazität aufgeladen wird. An einem gut belüfteten Ort aufbewahren, fern von Sonnenlicht, Hitze, Zündquellen, Poolchemikalien und Kindern. Laden Sie den Pool-Sauger alle drei Monate auf.
- Alle Maßnahmen zur Demontage des Hauptgeräts (d. H. Entsorgung der Batterie) können nur von einem autorisierten Techniker durchgeführt werden.

Die oben genannten Warnungen und Vorsichtsmaßnahmen sollen nicht alle möglichen Fälle von Risiken und/oder schweren Verletzungen berücksichtigen.

Pool-/Spa-Besitzer sollten bei der Verwendung des Produkts stets besondere Vorsicht und gesunden Menschenverstand walten lassen.

FERTIG MACHEN

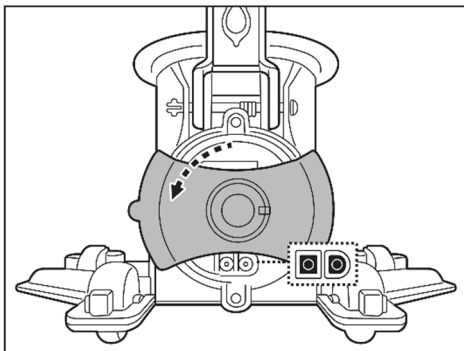
Die Batterie aufladen

WICHTIGE NOTIZ: laden Sie das Pool-Sauger vollständig auf (ca. 6 Stunden), bevor Sie es zum ersten Mal verwenden.

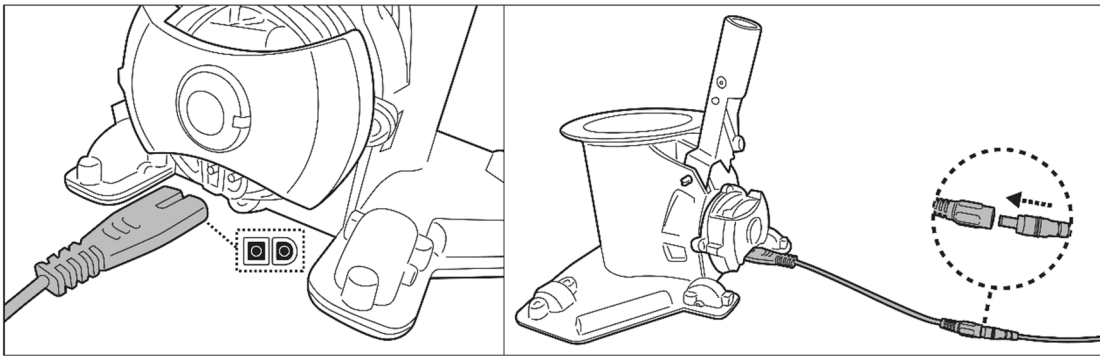
WARNUNG!

- BERÜHREN SIE NICHT DIE ÖFFNUNG, UM ZU VERMEIDEN, DASS SIE VOM LAUFRAD GETROFFEN WERDEN, WENN ES EINGESCHALTET IST.
- Verwenden Sie nur den mitgelieferten Original-Netzadapter und den mitgelieferten Ladekabel.
- Stellen Sie sicher, dass der Pool-Sauger und der Ladeanschluss sauber und trocken sind, bevor Sie ihn aufstellen und laden. (TIPP: Heben Sie die Schutzkappe auf und verwenden Sie einen Wattestäbchen zum Trocknen der Ladeöffnung und der Ladestifte).
- Die Aufladestifte sind wasserdicht. Wasserreste im Hafen und um die Stifte herum könnten jedoch zum natürlichen Auftreten von Flecken führen (ein Nebenprodukt der chemischen Reaktion zwischen Wasser und elektrischen Strömen). Andernfalls können die Flecken durch leichtes Schrubben mit einem mit Zitronensaft oder Essig getränkten Wattestäbchen entfernt werden.

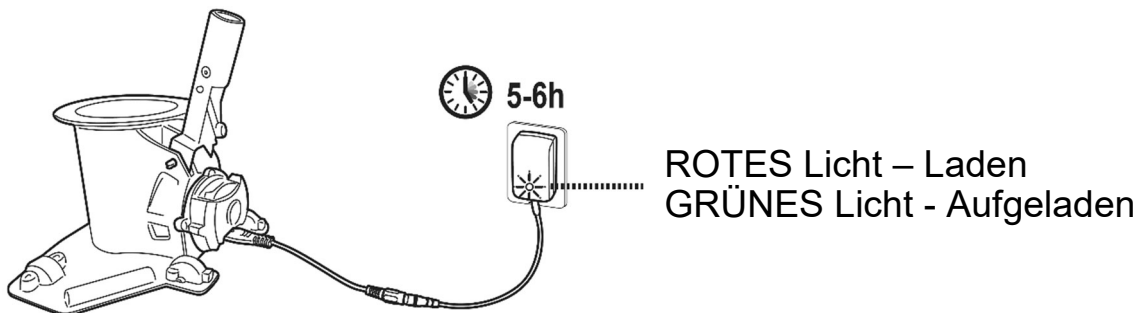
1. Stellen Sie das Gerät auf eine ebene Fläche. Stellen Sie den Pool-Sauger auf Ausschalt-/Lademodus, indem Sie den Schaltknopf gegen den Uhrzeigersinn drehen, bis er klickt und den Ladeanschluss vollständig freilegt.



2. Richten Sie den Ladekabel aus und schließen Sie ihn an den Ladeanschluss an. **WARNUNG!** Achten Sie darauf, den Ladekabel nicht umzudrehen und sicherzustellen, dass sowohl der Ladekabel als auch der Ladeanschluss sauber und trocken sind, bevor Sie sie aufladen. **TIPPS:** Trocknen Sie den Ladeanschluss und die Stifte mit Wattestäbchen. Stecken Verbinden Sie den Kabelstecker des externen Adapters mit dem Anschluss des Ladekabels.



3. Schließen Sie den externen Adapter an die Stromquelle an. Die Anzeigelampe am externen Adapter leuchtet rot, wenn das Vakuum aufgeladen wird, und grün, wenn es vollständig aufgeladen ist. Laden Sie es 5-6 Stunden lang auf, um die beste Leistung zu erzielen.



- Trennen Sie den externen Adapter sofort von der Stromquelle, wenn Sie Folgendes feststellen:
 - Beleidigender oder ungewöhnlicher Geruch
 - Übermäßige Hitze
 - Verformung, Risse, Undichtigkeiten
 - Rauch
4. Wenn der Ladevorgang abgeschlossen ist, ziehen Sie den externen Adapter von der Stromquelle ab und ziehen Sie das Ladekabel vom Hauptgerät ab. **WARNUNG!** Lassen Sie den Ladekabel niemals, während sich das Pool-Sauger im Wasser befindet.

Normalerweise ist der Pool-Sauger so ausgelegt, dass er bei voller Ladung bis zu 75 Minuten lang betrieben werden kann.

Hinweis: leeren Sie den Filterbeutel regelmäßig. Übermäßiger Schmutz erhöht die Belastung des Motors und kann die Betriebszeit verkürzen..

HINWEIS: Der wiederaufladbare Lithium-Ionen-Akku wird als Verbrauchsartikel eingestuft. Es hat eine begrenzte Lebensdauer und verliert allmählich seine Fähigkeit, eine Ladung zu halten. Daher verringert sich die Laufzeit des Pool-Saugers nach wiederholtem Laden und Entladen während seiner gesamten Produktlebensdauer allmählich.

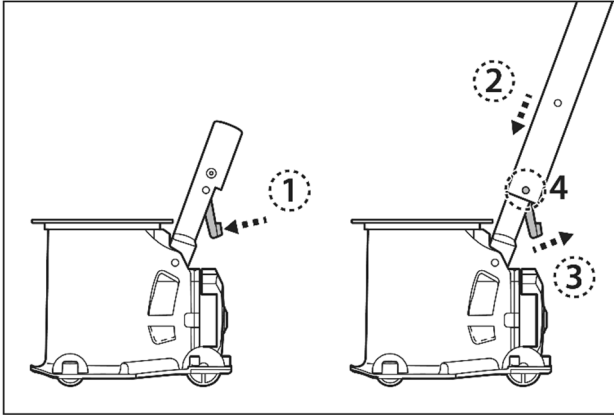
Wenn die Lebensdauer der Batterie abgelaufen ist, finden Sie Anweisungen zur Entsorgung der Batterie im Abschnitt „ENTSORGUNG DER BATTERIE“.

HINWEIS: Lassen Sie das Pool-Sauger etwa 30 bis 40 Minuten ruhen, bevor Sie es erneut aufladen.

Vor Gebrauch einrichten

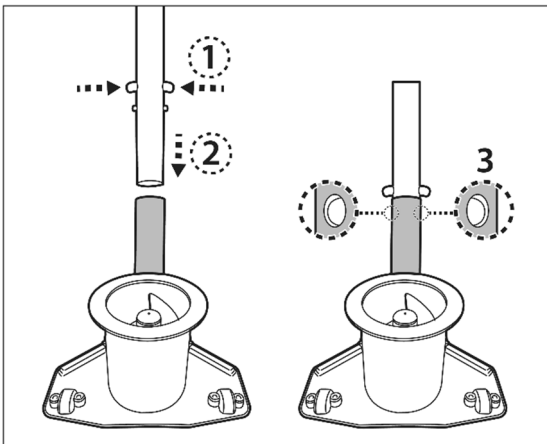
Montage des Teleskopstange (nicht mitgeliefert) (nur für USA / EU-Länder)

Drücken Sie auf den V-Clip am Stangenverbinder, um die Seitenstifte einzuziehen. Schieben Sie die Teleskopstange in den Verbinder, bis sie durch die seitlichen Stifte und Löcher eingerastet ist. Lassen Sie dann den V-Clip los.

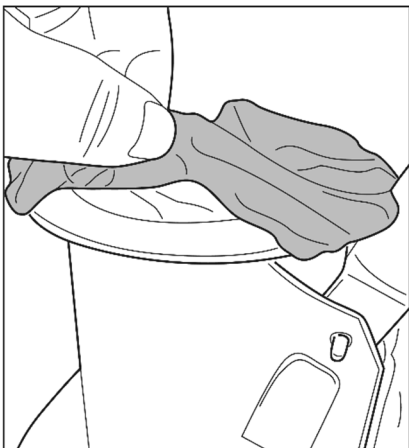


Montage des Soezifische Teleskopstange (nicht mitgeliefert) (nur für Australien/Neuseeland)

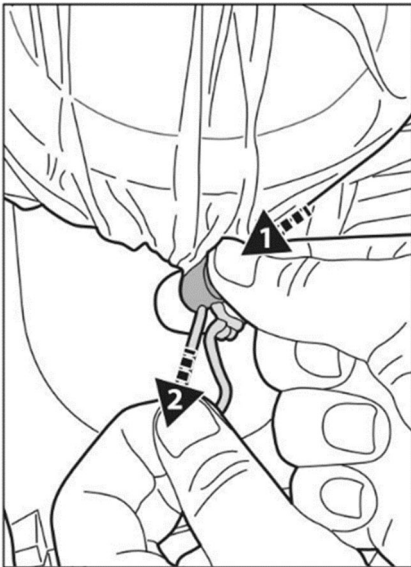
Drücken Sie auf die interne Querlenkerklemme (im Inneren der jeweiligen Teleskopstange vorinstalliert), um die seitlichen Stifte einzuziehen. Schieben Sie die spezifische Teleskopstange in den entsprechenden Stangenverbinder, bis sie durch die seitlichen Stifte und Löcher eingerastet ist.



Montage des Filtertasche

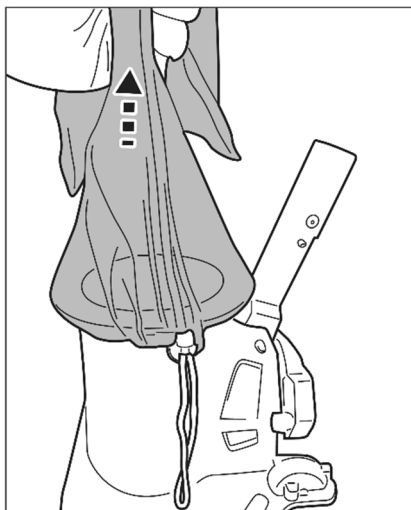


Verteilen Sie den Filterbeutel über der oberen Öffnung des Hauptkörpers des Pool-Saugers. Stellen Sie sicher, dass die Schnur des Beutels unter dem Flansch der oberen Öffnung liegt.



Während Sie die Schnur halten, drücken Sie auf den Schnurbefestigung und schieben Sie ihn unter den Flansch.

TIPPS: Um den Filterbeutel zu sichern, ziehen Sie beim Schieben des Schnurbefestigung unter den Flansch eine Schnur anstelle von zwei Schnüre, wie in der Abbildung gezeigt.

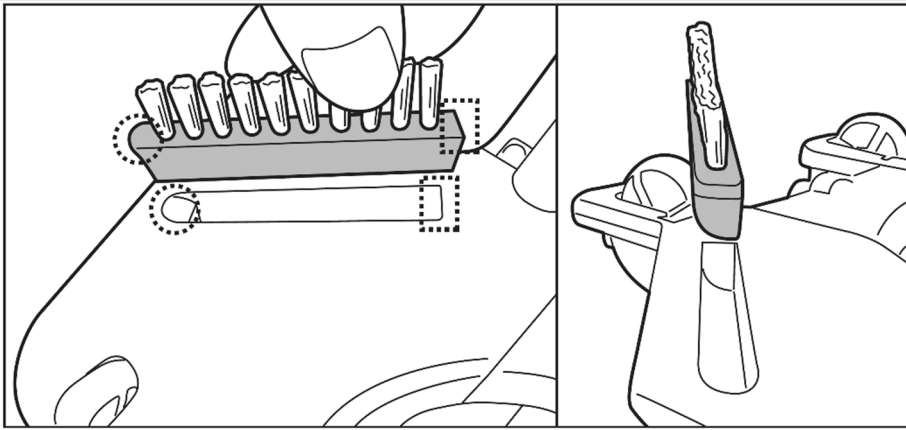


Heben Sie den Beutel an, um sicherzustellen, dass er vollständig gesichert ist, bevor Sie den Pool-Sauger in Wasser einsetzen.

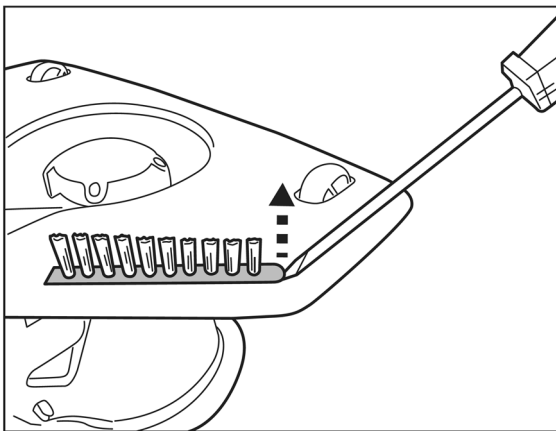
Montage des Bürste

Richten Sie alle Bürsten aus und setzen Sie sie in die Aussparungen an der Unterseite des Pool-Saugers ein.

HINWEIS: Die 2 mitgelieferten Bürsten sind nicht austauschbar. Wählen Sie die Bürste entsprechend der Krümmung und Form der Aussparung. Achten Sie auf den richtigen Sitz der Bürsten.



Um die Bürste abzunehmen, führen Sie die Spitze eines kleinen Schraubendrehers in die Eckaussparung ein und drücken Sie die Bürste nach oben.



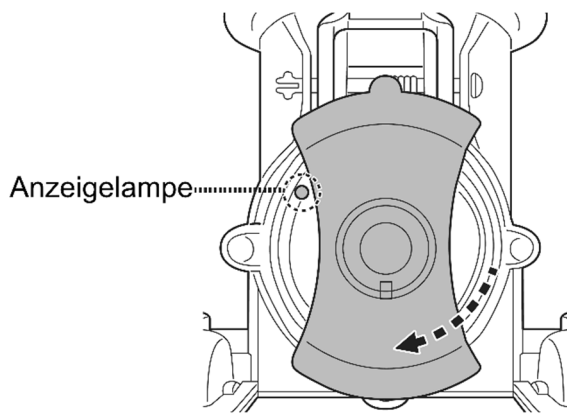
Poolvorbereitung

- Wenn der Liner spröde, beschädigt oder zerknittert ist, wenden Sie sich an einen qualifizierten Fachmann, um die erforderlichen Reparaturen durchzuführen oder einen Liner auszutauschen, bevor Sie den Pool-Sauger verwenden.
- Wenn Sie einen Salzwasserpool verwenden, stellen Sie sicher, dass das gesamte Salz aufgelöst ist, bevor Sie den Pool-Sauger ins Wasser stellen.

BETRIEB

WARNUNG! BERÜHREN SIE NICHT DIE ÖFFNUNG, UM ZU VERMEIDEN, DASS SIE VOM LAUFRAD GETROFFEN WERDEN, WENN ES EINGESCHALTET IST.

- 1) Bringen Sie Ihren Pool-Sauger an die Seite Ihres Pools. Drehen Sie den Schaltknopf im Uhrzeigersinn bis zum Anschlag und Einrasten. Die Betriebsanzeige in der oberen Ecke leuchtet auf. Tauchen Sie den Pool-Sauger in Wasser ein. Die Anzeige beginnt zu blinken, wenn noch etwa 10 bis 15 Minuten Betriebszeit verbleiben.

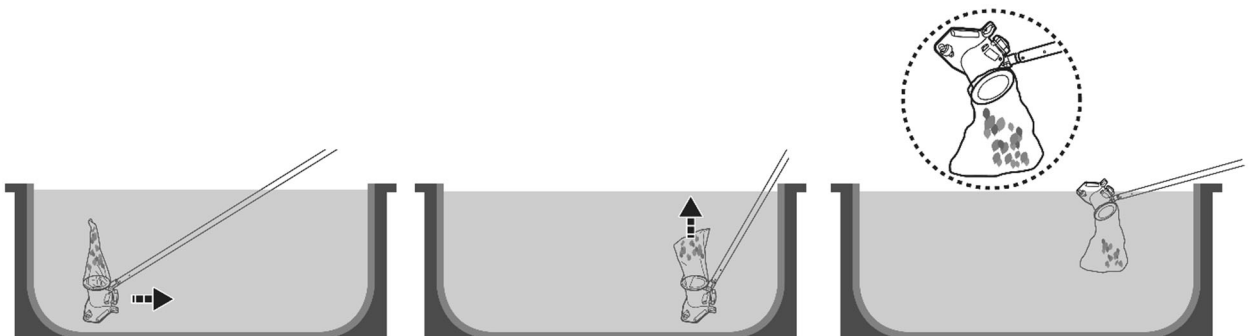


Anzeigelampe	
Grün	In Betrieb
Rot	Laufrad stoppt (Laufrad verstopft).

Um Schmutz effektiv abzusaugen, stellen Sie sicher, dass der Pool-Sauger flach auf dem Poolboden liegt, während Sie ihn in regelmäßigen Bewegungen über Schmutzflecken zum Sammeln hin und her lenken. Schmutz wird von vorne, von der Seite und von hinten gesammelt, um den Filterbeutel aufzufüllen.

Überschüssiger Schmutz und Ablagerungen im Pool können das Laufrad verstopfen, das automatisch zum Schutz des Motors stoppt und die Anzeigelampe rot leuchtet. Entfernen Sie das Vakuum aus dem Pool und schalten Sie es aus, bevor Sie den Filterbeutel reinigen und leeren, wenn er voll ist. Um den Betrieb wieder aufzunehmen, drehen Sie den Schaltknopf gegen den Uhrzeigersinn, bis Ausschalten ausgewählt ist, und drehen Sie ihn dann im Uhrzeigersinn, um Einschalten auszuwählen.

2) Um das Pool-Sauger wiederzugewinnen, bringen Sie es am Pool und drehen Sie es um, bevor Sie es anheben. Dies geschieht, um zu verhindern, dass Schmutz in den Pool zurückstreut, und um zu vermeiden, dass die Stange dabei verbogen wird.



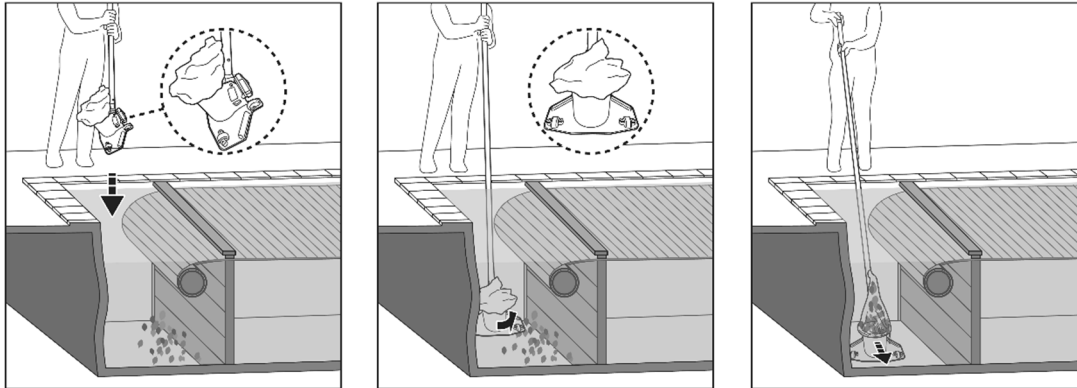
3) Spülen Sie den Pool-Sauger nach jedem Gebrauch mit frischem Wasser. Verwenden Sie KEIN aggressives Reinigungsmittel.

4) Trocknen Sie den Ladeanschluss und die Stifte gründlich ab (TIPPS: Trocknen Sie sie mit Wattestäbchen)

Absaugen des versenkten Fachs einer automatischen Lamellenabdeckung

WARNUNG! Beachten Sie vorher alle Sicherheitswarnungen in der Anleitung Ihrer automatischen Lamellenabdeckung bezüglich dieses Reinigungsvorgangs.

- Der erforderliche Mindestabstand für das Eintauchen des Pool-Saugers in das versenkte Fach beträgt 24 cm (9.5in).



- Entfernen Sie das Lattenrost und rollen Sie die Pool-Lamelle gemäß den Anweisungen in der Anleitung Ihrer Pool-Abdeckung aus.
- Befestigen Sie eine Teleskopstange/ Soezifische Teleskopstange (nicht mitgeliefert) am Stangenverbinder , wie in der Anleitung beschrieben.
- Schalten Sie den Pool-Sauger ein und richten Sie ihn vor dem Eintauchen wie in der Abbildung oben gezeigt aus.
- Sobald der Sauger den Boden des Pools erreicht hat, richten Sie ihn parallel zur Länge des Pools aus (siehe Abbildung oben) und beginnen Sie mit dem Absaugen des versenkten Fachs.

LEEREN DER FILTERBEUTEL

VORSICHT! Stellen Sie sicher, dass das Pool-Sauger ausgeschaltet ist, bevor Sie den Filterbeutel reinigen.

Regelmäßiges Waschen des Filterbeutels trägt zum Erhalt einer guten Saugleistung und eines optimalen Kontakts zwischen dem Sauger und dem Beckenboden während des Betriebes bei. Stellen Sie den Reiniger auf eine ebene Fläche. Drücken Sie auf den Schnurbefestigung, um den Beutel vom Hauptkörper zu lösen. Es wird empfohlen, den Filterbeutel nach jedem Reinigungszyklus des Pools mit einem Hochdruckreiniger zu säubern. Um hartnäckigen Schmutz oder Ablagerungen bei einem verstopften Filter zu entfernen, waschen Sie den Filterbeutel in einer Waschmaschine bei einer Wassertemperatur von 30°C. Wenn das Bürsten als notwendig erachtet wird, reinigen Sie es vorsichtig mit einer weichen Bürste, um Beschädigungen zu vermeiden.

WARTUNG & LAGERUNG

HINWEIS:

1. Achten Sie darauf, die Bereiche um den Ladeanschluss und die Wassersensoren nach jedem Gebrauch zu reinigen und zu trocknen, um die Bildung von Ablagerungen (Nebenprodukt einer natürlichen chemischen Reaktion zwischen elektrischem Strom und Wasser) zu vermeiden. Andernfalls können Sie die Ablagerungen durch leichtes Schrubben mit einem mit Zitronensaft oder Essig getränkten Wattestäbchen entfernen.
2. Während der Lagerung entlädt sich der Akku von selbst. Achten Sie darauf, den Pool-Sauger auf 30 - 50 % Akkukapazität aufzuladen, bevor er weggelegt wird.
3. Sie müssen den Akku mindestens alle drei Monate aufladen, auch, wenn das Gerät nicht benutzt wird
 - Ziehen Sie den externen Adapter aus der Steckdose und das Ladekabel aus dem

Pool-Sauger.

- Nehmen Sie das Zubehör vom Pool-Sauger ab. Spülen Sie gegebenenfalls den Pool-Sauger und das Zubehör mit frischem Wasser aus. KEIN aggressives Reinigungsmittel verwenden.
- Trocknen Sie das Pool-Sauger vor der Lagerung.
- Reinigen und trocknen Sie den Pool-Sauger und das Zubehör mit einem feuchten Tuch.
- Lagern Sie sie an einem gut belüfteten Ort, fern von Sonnenlicht, Hitze, Zündquellen, Poolchemikalien und Kindern. Die Umgebungstemperatur für die Lagerung sollte 10°C - 25°C betragen. HINWEIS: Eine höhere Lagertemperatur kann die Batterielebensdauer verkürzen.

WARNUNG!

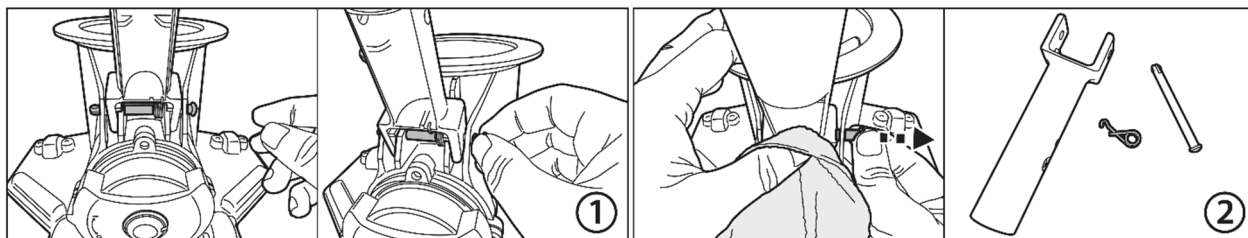
Versuchen Sie unter keinen Umständen, das Hauptgerät zu zerlegen und das Laufrad, den Motor und die Batterie selbst auszutauschen.

VORSICHT!

- Übermäßige Hitze kann die Batterie beschädigen und dadurch die Lebensdauer Ihres Pool-Saugers verkürzen.
- Wenden Sie sich bezüglich des Batteriewechsels an Ihren Händler, wenn Folgendes passiert:
 - Der Akku wird nicht vollständig aufgeladen.
 - Die Batteriebetriebszeit wird spürbar reduziert. Beobachten und notieren Sie die Laufzeiten der ersten Operationen (bei voller Ladung). Verwenden Sie diese Laufzeiten als Referenzpunkt für den Vergleich mit zukünftigen Laufzeiten.
- Die Batterie muss aus dem Pool-Sauger entfernt werden, bevor sie verschrottet wird.
- Die Batterie ist gemäß den örtlichen Verordnungen oder Vorschriften sicher zu entsorgen.

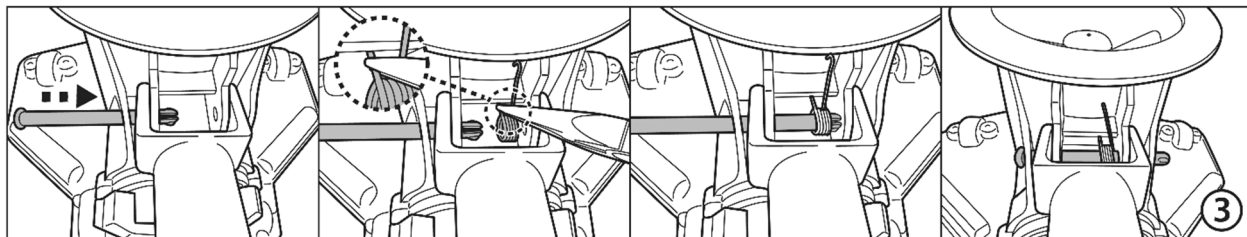
HINWEIS: Eine falsche Wartung kann die Batterielebensdauer verkürzen und die Kapazität beeinträchtigen.

Austausch des Stangenverbinders

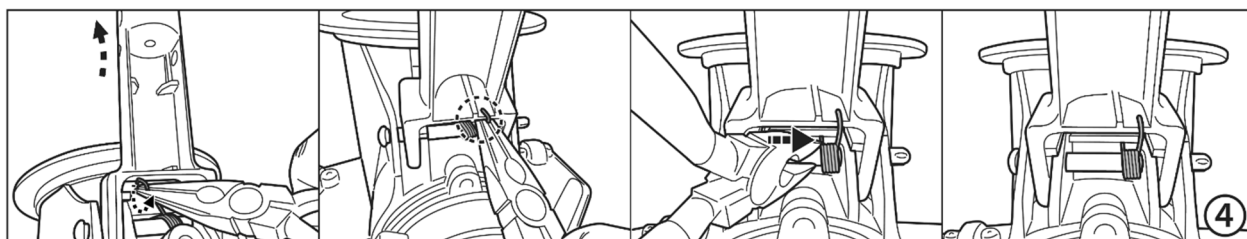


1. Greifen Sie das obere runde Ende des Stifts. Verwenden Sie ggf. eine Zange zur Unterstützung.

2. Da die Torsionsfeder beim Verlassen des Stifts herauspringt, achten Sie darauf, die Feder mit einem Stück Stoff abzudecken, während Sie den Stift ziehen.



3. Führen Sie den Stift von einem Ende aus ein und setzen Sie die Feder wie abgebildet mit Hilfe einer Zange ein. Stellen Sie sicher, dass sich der Haken oben befindet und das andere Ende wie abgebildet unter der Schiene installiert ist. Richten Sie den Stift aus und stecken Sie ihn ganz durch das Federloch und das gegenüberliegende Loch.



4. Ziehen Sie den Haken mit einer Zange von der Unterseite des Stangenverbinder und befestigen Sie ihn dann wie abgebildet am Stangenverbinder. Führen Sie die gesamte Feder nach rechts.

BATTERIE ENTSORGUNG (Von einem autorisierten Techniker durchführen)

Ihr Pool-Sauger ist mit einem wartungsfreien wiederaufladbaren Lithium-Ionen-Akku ausgestattet, der ordnungsgemäß entsorgt werden muss. Recycling ist erforderlich; Bitte wenden Sie sich an Ihre örtliche Behörde, um weitere Informationen zu erhalten.

WARNUNG! Versuchen Sie niemals, einen Akku zu zerlegen

- Entfernen Sie alle persönlichen Gegenstände wie Ringe, Armbänder, Halsketten und Uhren, wenn der Akku aus dem Pool-Sauger heraus verdrahtet ist.
- Eine Batterie kann einen Kurzschlussstrom erzeugen, der hoch genug ist, um einen Ring (oder einen ähnlichen Gegenstand) mit Metall zu verschweißen, was zu schweren Verbrennungen führt.
- Tragen Sie beim Entfernen des Akkus einen vollständigen Augenschutz, Handschuhe und Schutzkleidung.
- Berühren Sie die Drähte gänzlich nicht und vermeiden Sie den Kontakt zwischen ihnen und Metallgegenständen, da dies zu Funkenbildung und/oder Kurzschluss der Batterie führen kann.
- Rauchen Sie niemals und lassen Sie keinen Funken oder keine Flamme in der Nähe der Batterie oder des Pool-Saugers.

- Setzen Sie den Akku keinem Feuer oder starker Hitze aus, da dies zu einer Explosion führen kann.

VORSICHT!

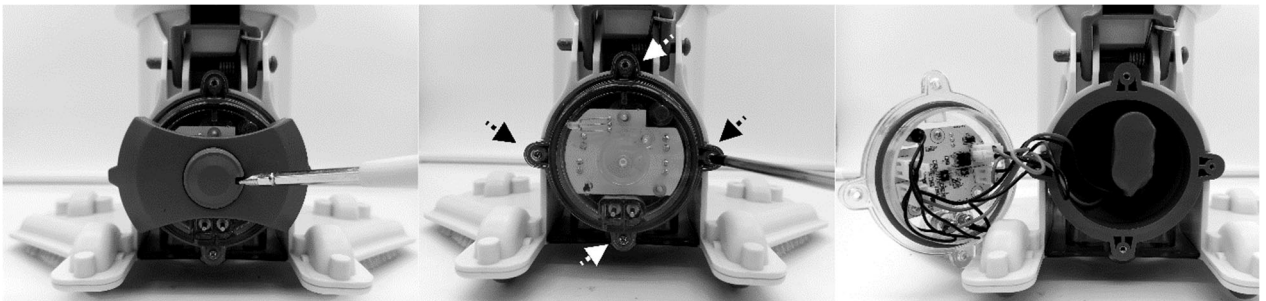
Wenn ein Batterieleck auftritt, vermeiden Sie jeglichen Kontakt mit den austretenden Flüssigkeiten und legen Sie die beschädigte Batterie in eine Plastiktüte.

- Wenn auslaufende Flüssigkeiten mit Haut und Kleidung in Berührung kommen, sofort mit viel Wasser und Seife waschen.
- Wenn auslaufende Flüssigkeiten mit den Augen in Kontakt kommen, reiben Sie sie nicht und spülen Sie sie sofort mindestens 15 Minuten lang mit kaltem fließendem Wasser. Suchen Sie so schnell wie möglich einen Arzt auf.

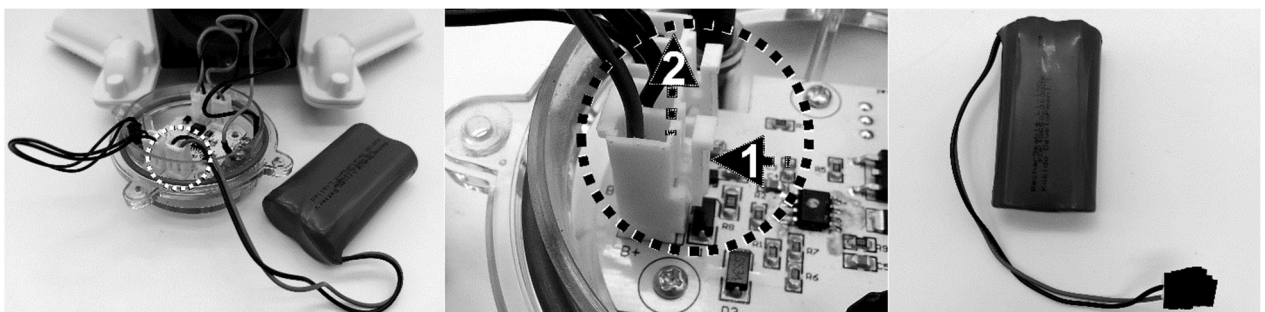
Entfernen den Akku nur zu dessen Entsorgung (von einem autorisierten Techniker durchzuführen)

Empfohlene Werkzeuge (nicht im Lieferumfang enthalten): Schraubendreher. **WARNUNG!** Das Pool-Sauger muss vor dem Entfernen des Akkus vom Stromnetz getrennt werden.



1. Stellen Sie den Pool-Sauger auf eine ebene Fläche. Verwenden Sie den Schraubendreher, um die kleine Abdeckung aufzuhebeln und die 4 Schrauben zu lösen. Entfernen Sie die Batterie aus der Kammer.



2. Entfernen Sie die Batterie aus dem Gerät und suchen Sie das Batterieanschlusskabel. Drücken Sie zum Abziehen des Batterieanschlusskabels auf den Clip des Steckers, um ihn herauszuziehen. **HINWEIS:** Wickeln Sie den Stecker sofort mit Isolierband um, um Kurzschlüsse durch den Kontakt beider Kabelklemmen zu vermeiden.





FEHLERBEHEBUNG


Problem	Mögliche Ursache	Lösung
Der Reiniger arbeitet nicht	Leerer Akku	Laden Sie den Pool-Sauger auf.
Fängt die Trümmer nicht ein / Ablagerungen sind in den Pool gelangt	Niedriger Batteriestatus	Laden Sie den Pool-Sauger auf.
	Blockiertes Laufrad	Entfernen Sie den Pool-Sauger aus dem Wasser und drehen Sie den Knopf gegen den Uhrzeigersinn, um ihn auszuschalten. Überprüfen Sie, ob das Laufrad durch große Trümmer blockiert ist. Entfernen Sie die Rückstände. Wenden Sie sich bei Bedarf an Ihren Händler, um weitere Anweisungen zu erhalten. WARNUNG! Stellen Sie sicher, dass der Pool-Sauger ausgeschaltet ist, bevor Sie das Gerät warten.
	Laufrad kaputt	Wenden Sie sich zum Austausch an Ihren Händler.
	Filterbeutel ist voll / verstopft	Reinigen Sie den Filterbeutel.
Die Ladezeit ist länger als angegeben	Verschmutzte Ladestifte	Die Flecken können mit einem mit Zitronen- oder Essigsaft getränkten Wattestäbchen entfernt werden, um die Bereiche um die Ladestifte zu reinigen.
Reiniger kann nicht aufgeladen werden	Batterie beschädigt	Wenden Sie sich an den Händler, um die Batterie auszutauschen. WARNUNG! Tauschen Sie die Batterie NICHT selbst aus. Dies kann zu schweren oder tödlichen Verletzungen führen und die Garantie erlischt.
	Der Ladekabel ist nicht richtig an den externen Adapter und den Pool-Sauger angeschlossen.	Siehe Bedienungsanleitung und schließen Sie das Ladezubehör richtig an.
	Externer Adapter ist außer Betrieb	Wenden Sie sich zum Austausch an den Händler. WARNUNG! Die Verwendung eines falschen externen Adapters führt zur Beschädigung des Pool-Saugers/der Batterie und zum Erlöschen der Garantie.
Environmental Programmes, WEEE European Directive		
	Bitte beachten Sie die EU-Vorschriften und tragen Sie zum Umweltschutz bei. Geben Sie nicht funktionierende elektrische Geräte an eine von Ihrer Gemeinde beauftragte Einrichtung zurück, in der elektrische und elektronische Geräte ordnungsgemäß recycelt werden. Entsorgen Sie sie nicht in unsortierten Abfallbehältern. Entfernen Sie bei Gegenständen mit austauschbaren Batterien die Batterien, bevor Sie das Produkt entsorgen.	
	© 2021 Kokido Development Ltd. 21007030 Alle Rechte vorbehalten. Ohne die vorherige schriftliche Genehmigung der Kokido Development Ltd. darf dieses Dokument weder ganz noch in Teilen vervielfältigt oder in anderer Weise übertragen werden, gleich ob durch elektronische oder mechanische Verfahren oder durch Photokopie, Tonaufnahmen oder andere Verfahren. (V1)	


Wenn eine Kopie dieser Bedienungsanleitung erforderlich ist, wenden Sie sich bitte per E-Mail an unseren Kundendienst: customerservice@kokido.com


ANLEITUNG AUFBEWAHREN


- 

We reserve the right to change all or part of the features of the articles or contents of this document, without prior notice.
International patents pending
- 

Nous nous réservons le droit de modifier tout ou partie des caractéristiques des articles ou des contenus de ce document, sans notification préalable.
Brevets internationaux en attente
- 

Nos reservamos el derecho de modificar la totalidad o parte de las características de los artículos o contenidos de este documento sin aviso previo.
Patentes Internacionales pendientes
- 

Wij behouden ons het recht voor om zonder voorafgaande kennisgeving de artikelen of de inhoud van dit document te wijzigen.
In afwachting van internationale patenten
- 

Ci riserviamo il diritto di modificare integralmente o parzialmente le caratteristiche degli articoli o del contenuto del presente documento senza preavviso.
Patenti internazionali in attesa
- 

Wir behalten uns das Recht vor, Aspekte der Artikel bzw. den Inhalt dieses Dokuments jeweils ganz oder teilweise ohne vorherige Ankündigung zu ändern.
International zum Patent angemeldet



NB-V1-21007030

Manufacturer/Fabricant/Fabricante/Fabrikant/Fabbricante/Hersteller:

Kokido Development Limited.

Unit 1319, Sunbeam Centre, 27 Shing Yip Street, Kwun Tong, Kowloon, HK